

**hydroo<sup>®</sup>**

**WDROO SERIES**

**WF, WX,**

**WG, WV**

**50Hz**

**Submersible  
sewage pump**



## PRESENTATION

**HYDROO has set up a worldwide distribution network with key partners and is providing value to pump engineers and end users. We have an extensive pump portfolio with high-end solutions for many applications, including water-supply booster sets, fire-fighting equipment, borehole, HVAC, drainage and sewage, utilities, irrigation, desalination and RO equipment, and OEM integration, among many others. We provide solutions for all markets for 50 Hz and 60 Hz, including customized versions.**

**HYDROO has a factory in Palol de Revardit (Catalonia- Spain). It's been sized to guarantee our reliable, long-term, personalized manner and offer the best service to all our customers. We provide a wide range of products in an extremely short delivery time, thanks to our Lean manufacturing processes and our qualified professional and enthusiastic team.**

**Our commitment to ethics and legislation in relation to third parties is compiled in a public document of principles. The document has been agreed upon by the entire Hydroo team and its implementation is being coordinated by a committee to ensure the compliance and strengthening of the corporate culture in the whole company.**

**The expansion of Hydroo is based on excellence in operations and a successful business relationship with partners. Therefore, we face a strong growth in the target market. We are fully audited by SGS for ISO9001 and ISO14000 standards annually.**

**At HYDROO, we are committed to providing excellent service to our valued pump partners.**

# WF, WX, WG, WV

Submersible  
sewage pump

## Applications

Raw water  
Municipal and industrial  
waste water  
Rain water  
Sewage works  
General industrial services

## Description

Robust and reliable submersible pumps for waste water applications. Pumps with double and multiple channel impellers. Auto-coupling devices and hard pipe elbows available on request for all the models.

## Performance range

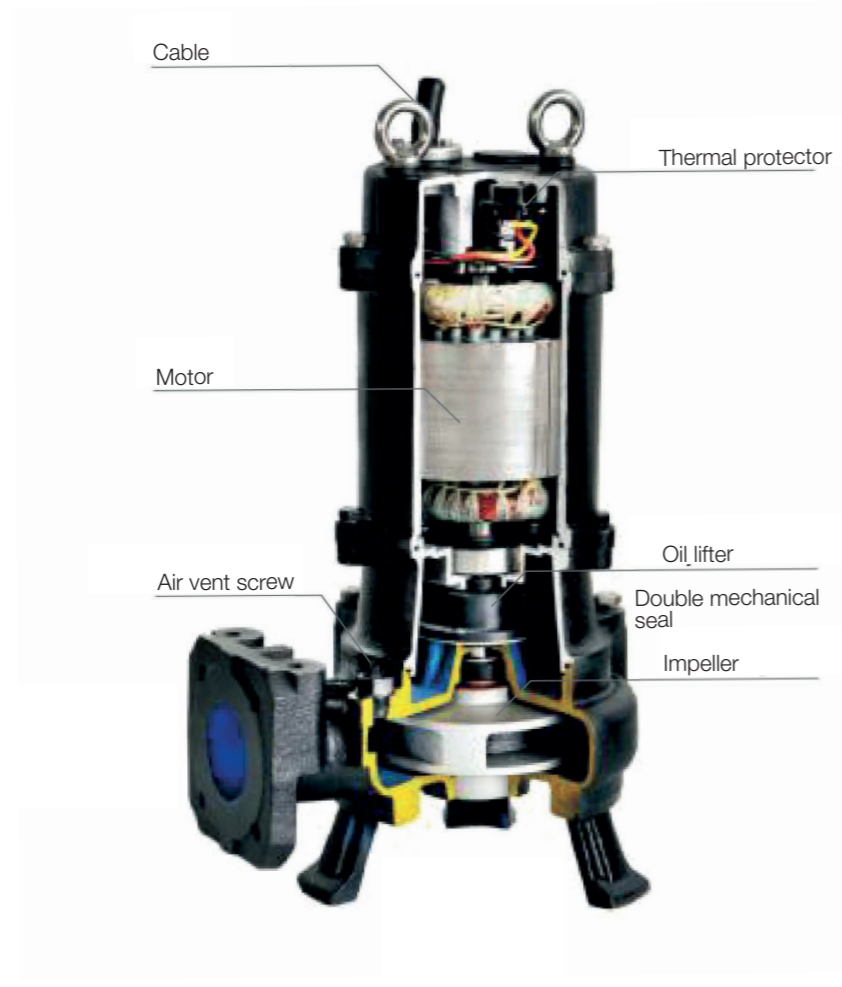
Capacity: Q up to 1100 m<sup>3</sup>/h  
Head: H up to 66 m  
Temperature: T up to 40 °C  
Speed: n 2900/1450 rpm  
Power: P2 up to 75 kW

## Standard material

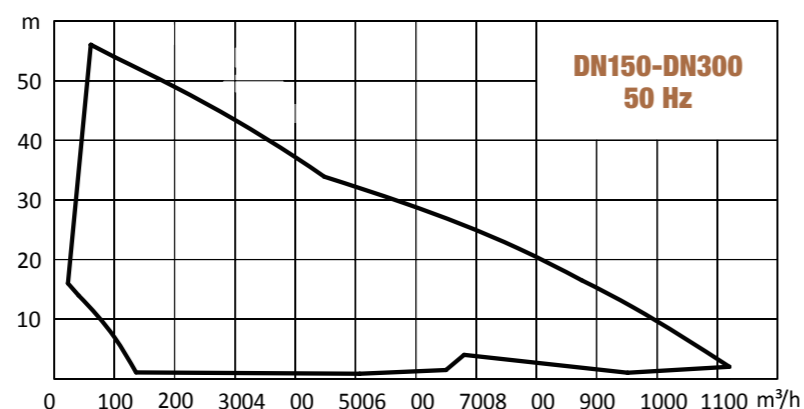
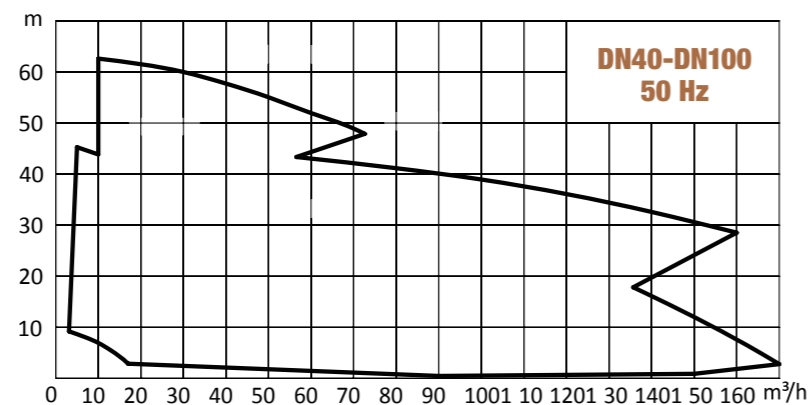
WF: Cast iron  
WX: AISI304 Stainless Steel

Other materials on demand

## Section drawing



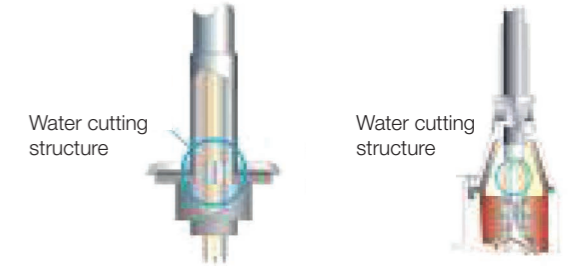
## Performance scope



## Summary

WDROO series are submersible robust compact sewage pumps for the most demanding applications in Waste Water Treatment Plants. Strongest points of the series are::

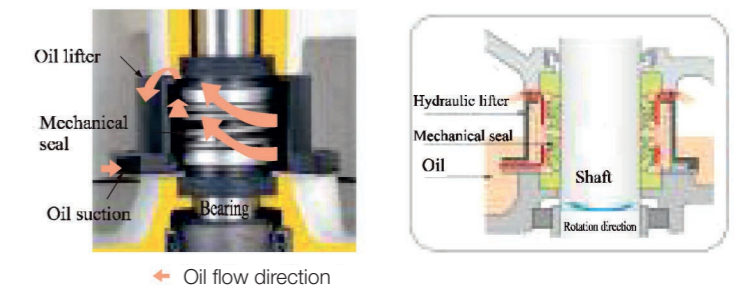
1. The special cable connection design prevent water leakage into the motor even in case of cable break.



2. The motor casing has been designed with a protection IP68 and winding class F, complying with UL778 requirements. It is a robust motor for S1 and S2 operation mode and easy cooling with minimum immersion depth. Thermal protection is included to avoid any motor abnormal working condition.



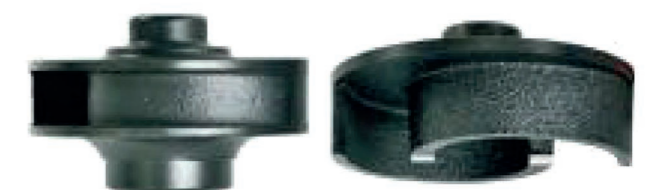
3. The motor casing has been designed with a protection IP68 and winding class F, complying with UL778 requirements. It is a robust motor for S1 and S2 operation mode and easy cooling with minimum immersion depth. Thermal protection is included to avoid any motor abnormal working condition.



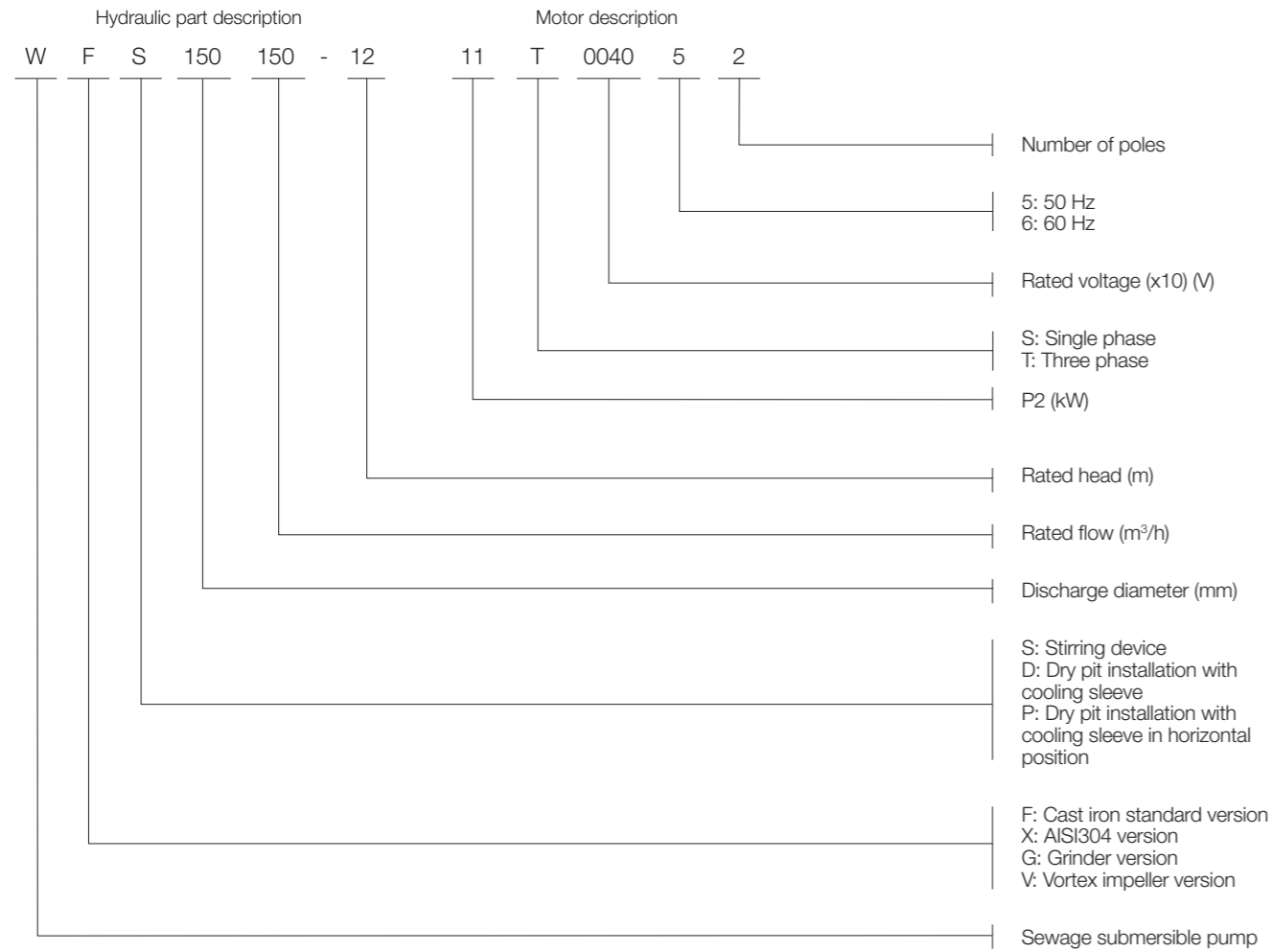
4. Pump casing includes an automatic vent valve that enables the pump an automatic air relief during pump operation.



5. High efficiency impellers for WF and WX models, with closed or semi-closed design to avoid clogging. Simetric channel impeller desing allows a reliable dynamic balance, reduces vibration even with aged impellers and stable running with a result of long service and energy savings. Stirring device available on demand to ease suction of solids.



## Definition of model



## Service Conditions

Frequency: 50Hz  
 Voltage: 1x220-230/240V  
 3x200-220/346-380V  
 3x200-220/346-380V  
 3x380-415V  
 Liquid temperature: <40 °C

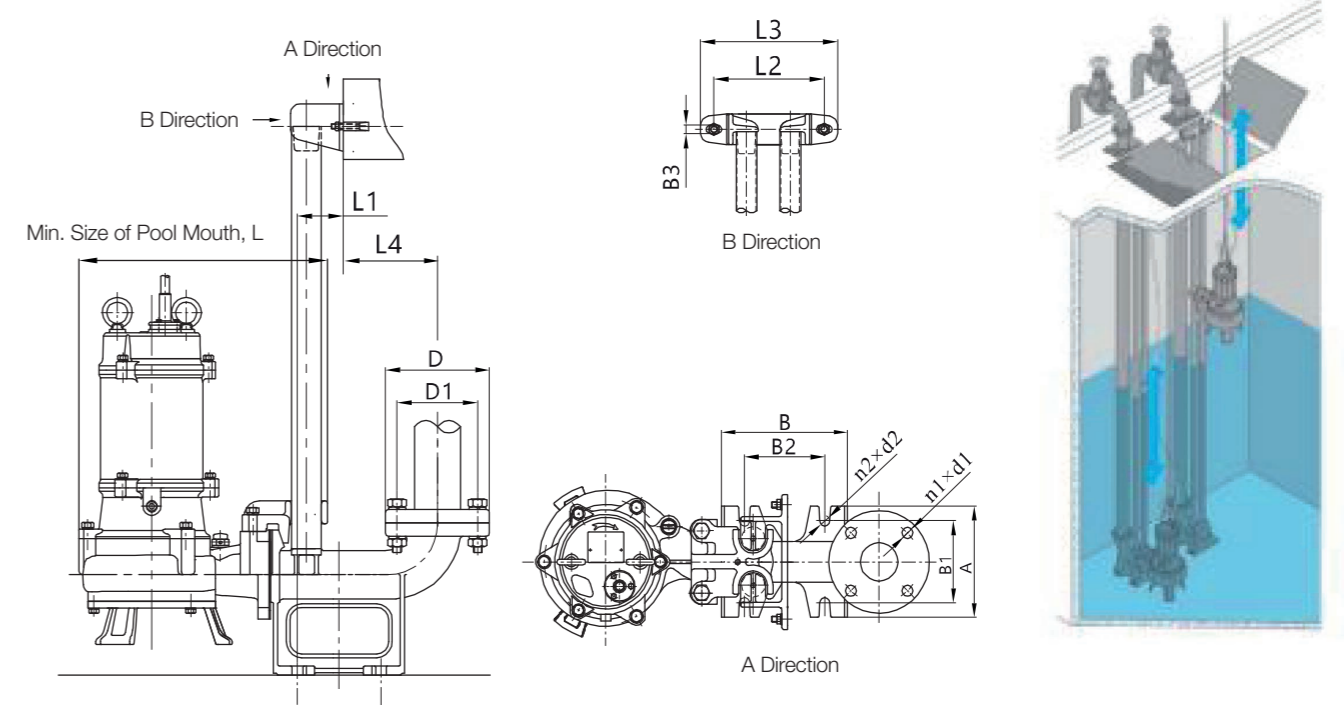
Liquid: solid concentrate ≤2%, PH value 4-10, density <1200kg/m<sup>3</sup>

Max diameter of the solid must be less than or equal to the limit value.

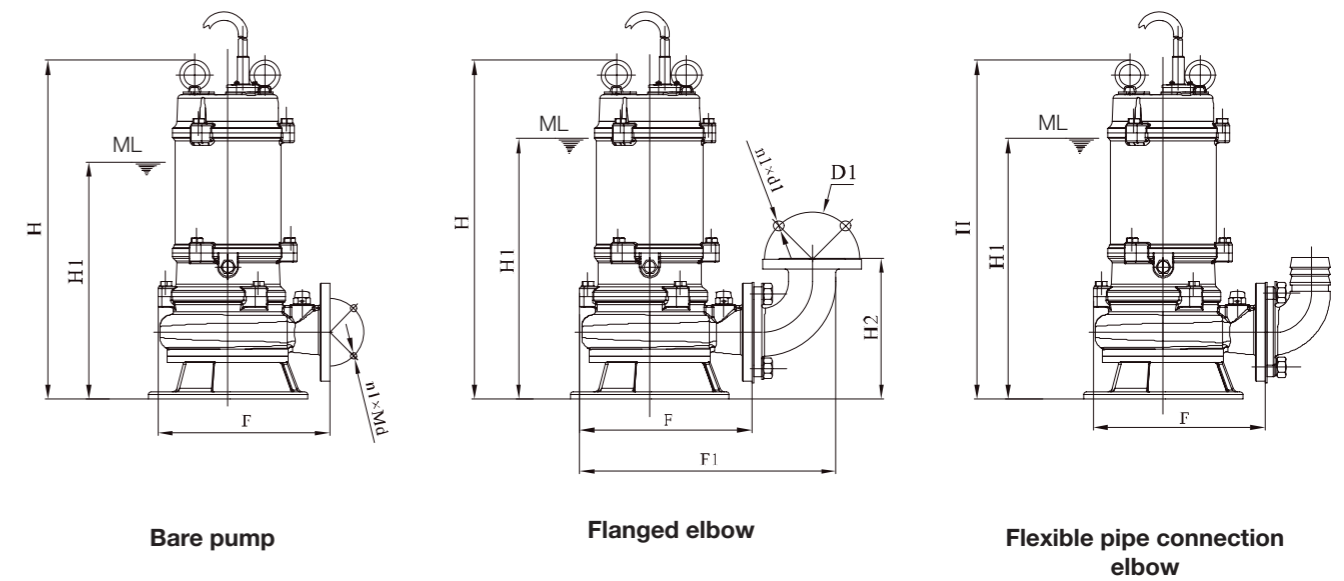


## Installation types

### Fixed auto Coupling Device Installation



### Movable Installation



## Coupling device and flange dimensions

N°	Diameter	Flange connection size PN6				Coupling base dimension (mm)						L	L1	L2	L3	L4
		D	D1	n1xd1	n1xMd	A	B	B1	B2	B3	n2xd2					
1	DN40	130	100	4-ø14	4-M12	140	149	100	95	2-ø14	4-ø18	400	73	185	230	57
2	DN50	140	110	4-ø14	4-M12	160	200	120	120	2-ø14	4-ø18	400	60	185	230	175
3	DN65	160	130	4-ø14	4-M12	190	220	140	140	2-ø14	4-ø18	415	75	195	230	130
4	DN80	190	150	4-ø18	4-M16	220	250	170	170	2-ø14	4-ø18	415	75	195	230	165
5	DN100	210	170	4-ø18	4-M16	250	290	200	200	2-ø15	4-ø18	480	114	245	300	176
6	DN150	265	225	8-ø18	8-M16	400	410	300	300	3-ø15	4-ø24	925	190	260	380	190
7	DN200	320	280	8-ø19	8-M16	400	450	300	350	3-ø15	4-ø24	1048	200	260	380	229
8	DN250	375	335	12-ø19	12-M16	460	560	360	430	3-ø15	4-ø24	1205	200	280	380	300
9	DN300	440	395	12-ø23	12-M20	600	630	500	470	3-ø18	4-ø28	1078	270	400	700	300

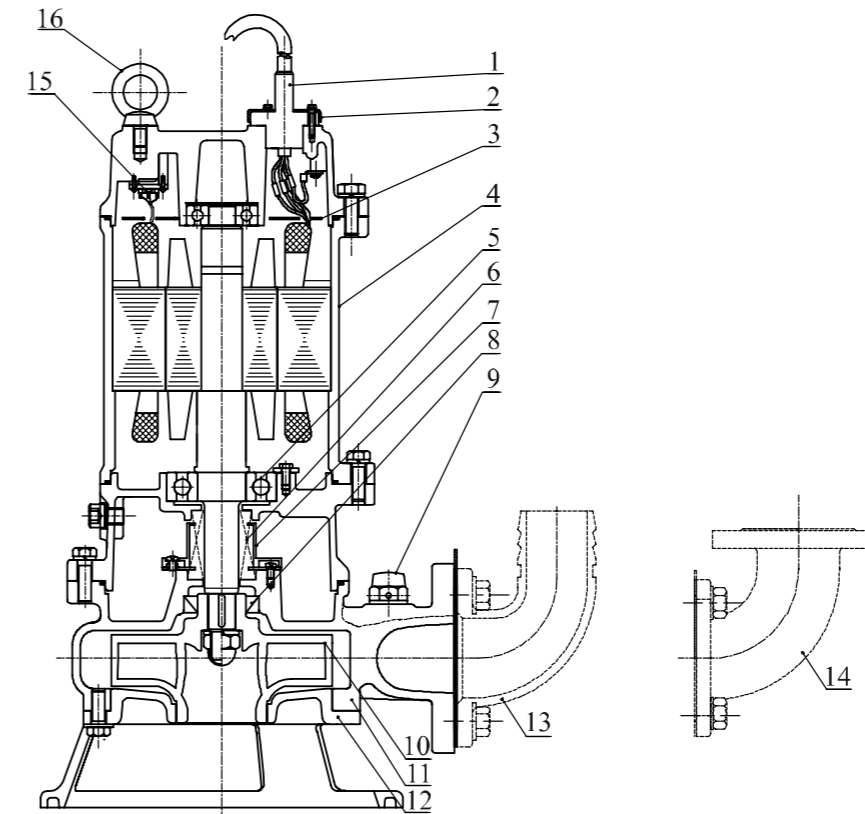
## Dimensions

unit:mm (Except inch)

Diameter	DN40	DN50	DN65	DN80	DN100	DN150	DN200	DN250	DN300
Guide rod tap pipe/ Seamless steel pipe	1"/33X3.0		1-1/4"/42X3.0		2"/60X3.25	1-1/2"/48X3.25		2-1/2"/75X4	
Guide rod length	Pit depth -245	Pit depth -285	Pit depth -300	Pit depth -320	Pit depth -365	Pit depth -100		Pit depth -150	
Quantity of expansion bolt and specification	2-M10X120				2-M12X125			2-M16X150	
Quantity of bolt and specification	4-M16X250				4-M20X300			4-M24X350	
Footer bolt hole size	80X80X300				100X100X350			120X120X400	
Dia. of soft pipe	1-1/2"/40	2"/50	2-1/2"/65	3"/80	4"/100	6"/150	8"/200	10"/250	12"/300

## WF Sewage Submersible Pump

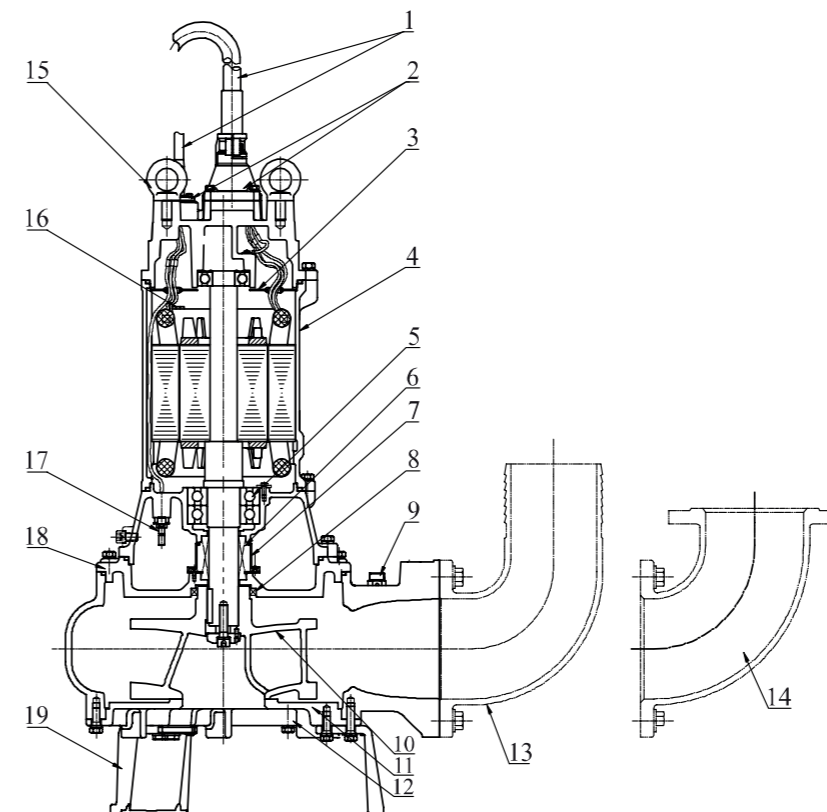
### 2-pole model sectional drawing



N°	Part	Material
1	Cable	NBR
2	Cable gland	
3	Threading plate	
4	Motor	
5	Bearing	Cast Iron
6	Mechanical seal	C/SIC
7	Oil lifter	
8	Oil seal	NBR
9	Air vent plug	Polymeric
10	Impeller	ASTM25B
11	Casing	ASTM25B
12	Suction cover	EN1561 EN-GJL-200
13	Suction cover	EN1561 EN-GJL-200
14	Elbow (optional)	ASTM25B
15	Thermal protector	
16	Eye bolt	

### 4-pole model sectional drawing

2.2kW~15kW

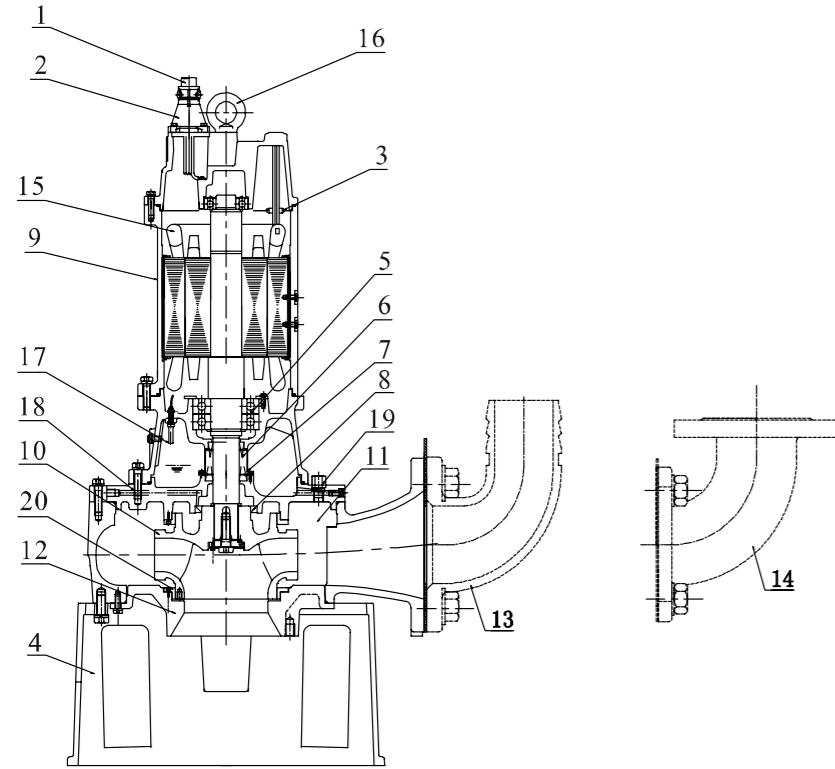


N°	Part	Material
1	Cable	NBR
2	Cable gland	
3	Threading plate	
4	Motor	
5	Bearing	
6	Mechanical seal	C/SIC
7	Oil lifter	
8	Oil seal	NBR
9	Air vent plug	Polymeric
10	Impeller	ASTM25B
11	Casing	ASTM25B
12	Suction cover	EN1561 EN-GJL-200
13	Elbow (optional)	ASTM25B
14	Elbow (optional)	
15	Eye bolt	
16	Thermal	
17	Leakage sensor bar	
18	Casing cover	ASTM25B
19	Base bracket	

# WF Sewage Submersible Pump

4-pole model sectional drawing

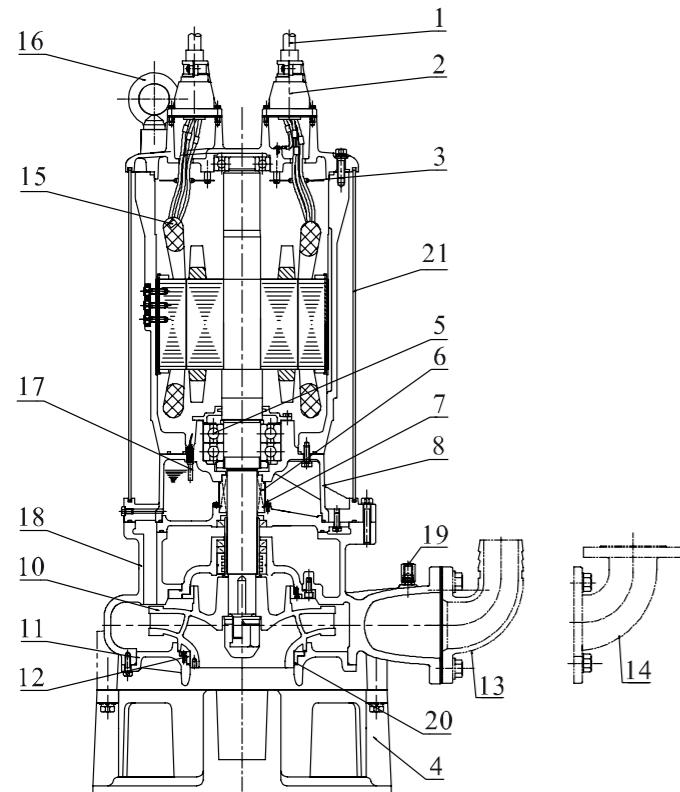
18.5kW~45kW



N°	Part	Material
1	Cable	ASTM25B
2	Cable gland	Q235
3	Threading plate	ASTM80-55-06
4	Filter cover	
5	Bearing	C/SIC
6	Mechanical seal	
7	Oil lifter	NBR
8	Oil seal	NBR
9	Base	Polymeric
10	Impeller	ASTM25B
11	Casing	ASTM25B
12	Suction cover	ASTM25B
13	Elbow (optional)	ASTM25B
14	Elbow (optional)	ASTM25B
15	Thermal protector	
16	Eye bolt	
17	Leakage sensor bar	ASTM25B
18	Casing cover	
19	Air vent plug	AISI304
20	Wear ring	ASTM25B
21	Isolated cover	Carbon steel

4-pole model sectional drawing

55kW~75kW



# WF Sewage Submersible Pump

Technical parameters and dimensions (2-pole)

Model	Size (mm)	Q (m³/h)	H (m)	n (rpm)	P2 (kW)	V (V)	I (A)	Max. limit solid D. (mm)	W (kg)	Dimension (mm)					
										H	H1	H2	F	F1	H3
WF40-12-10	40	12	10	2850	0.75	380	1.8	15	21.5	415	285	203	222	333	93
WF40-8-15	40	8	15	2850	1.1	380	2.6	15	21.5	415	285	203	222	333	93
WF40-15-8	40	15	8	2850	1.1	380	2.6	20	25.5	440	300	214	244	337	93
WF40-15-13	40	15	13	2850	1.1	380	2.6	15	23.5	440	305	214	245	337	93
WF40-12-18	40	12	18	2880	1.5	380	3.3	20	33	470	330	215	271	382	104.5
WF50-10-7	50	10	7	2850	0.55	380	1.3	15	21.5	415	285	203	222	333	93
WF50-12-10	50	12	10	2850	0.75	380	1.8	15	21.5	415	285	203	222	333	93
WF50-8-15	50	8	15	2850	1.1	380	2.6	20	25.5	440	300	214	244	337	104
WF50-10-13	50	10	13	2850	1.1	380	2.6	20	25.5	440	300	214	244	337	104
WF50-15-8	50	15	8	2850	1.1	380	2.6	20	25.5	440	300	214	244	337	93
WF50-15-13	50	15	13	2850	1.1	380	2.6	15	23.5	440	305	214	245	363	93
WF50-10-15	50	10	15	2880	1.5	380	3.3	20	33	475	310	216	270	363	106.5
WF50-10-18	50	10	18	2880	1.5	380	3.3	20	33	475	310	216	270	363	140
WF50-12-12	50	12	12	2880	1.5	380	3.3	20	33	475	310	216	270	363	106.5
WF50-15-10	50	15	10	2880	1.5	380	3.3	20	33	475	310	216	270	363	106.5
WF50-15-15	50	15	15	2880	1.5	380	3.3	20	33	475	310	216	270	363	106.5
WF50-9-22	50	9	22	2880	2.2	380	4.6	22	37.5	475	310	216	270	363	106.5
WF50-15-18	50	15	18	2880	2.2	380	4.6	22	37.5	510	320	216	279	373	106.5
WF50-15-20	50	15	20	2880	2.2	380	4.6	22	37.5	510	320	216	279	373	106.5
WF50-20-15	50	20	15	2880	2.2	380	4.6	22	37.5	510	320	216	279	373	106.5
WF50-25-10	50	25	10	2880	2.2	380	4.6	22	37.5	510	320	216	279	373	106.5
WF50-15-25	50	15	25	2840	3	380	6.1	25.5	44	540	335	218	279	372	108
WF50-15-27	50	15	27	2840	3	380	6.1	25.5	44	540	335	218	279	372	108
WF50-25-20	50	25	20	2840	3	380	6.1	25.5	44	540	335	218	279	372	108
WF50-15-32	50	15	32	2840	4	380	7.7	25.5	49.5	557	351	221	321	414	111
WF50-15-40	50	15	40	2940	5.5	380	10.8	19.5	84	790	450	221	321	414	118.5
WF50-20-30	50	20	30	2940	5.5	380	10.8	19.5	84	790	450	221	321	414	118.5
WF50-25-25	50	25	25	2940	5.5	380	10.8	19.5	84	790	450	221	321	414	122
WF50-20-40	50	20	40	2940	7.5	380	14.3	19.5	92	787	500	221	321	414	124
WF50-25-35	50	25	35	2940	7.5	380	14.3	19.5	927	787	500	221	321	414	124
WF65-15-10	65	15	10	2850	1.1	380	2.6	23	27	440	300	214	246	363	104
WF65-25-10	65	25	10	2850	1.5	380	3.3	28	30	480	340	160	283	418	110
WF65-25-14	65	25	14	2880	2.2	380	4.6	24	40.5	526	340	235	287	404	115.5
WF65-35-7	65	35	7	2880	2.2	380	4.6	24	40.5	526	340	235	287	404	115.5
WF65-25-15	65	25	15	2840	3	380	6.1	25.5	46	542	336	229	275	392	106.5
WF65-25-18	65	25	18	2840	3	380	6.1	25.5	46	542	336	229	275	392	106.5

# WF Sewage Submersible Pump

## Technical parameters and dimensions (2-pole)

Model	Size (mm)	Q (m³/h)	H (m)	n (rpm)	P2 (kW)	V (V)	I (A)	Max. limit solid D. (mm)	W (kg)	Dimension (mm)					
										H	H1	H2	F	F1	H3
WF65-37-13	65	37	13	2840	3	380	6.1	25.5	46	542	336	229	275	392	106.5
WF65-40-10	65	40	10	2840	3	380	6.1	25.5	46	542	336	229	275	392	106.5
WF65-20-25	65	20	25	2840	4	380	7.7	26	52	563	357	235	320	437	114.5
WF65-20-27	65	20	27	2840	4	380	7.7	26	52	563	357	235	320	437	114.5
WF65-25-31	65	25	31	2940	5.5	380	10.8	17.5	86	793	450	236	314	431	129.5
WF65-30-25	65	30	25	2940	5.5	380	10.8	17.5	86	796	450	236	314	431	129.5
WF65-20-60	65	20	60	2930	11	380	21.7	22	95	877	600	284	362	520	191
WF65-40-50	65	40	50	2930	11	380	21.7	22	95	877	600	284	362	520	191
WF65-50-55	6	50	55	2930	15	380	29.1	22	95	877	600	284	362	520	191
WF80-40-8	80	40	8	2880	2.2	380	4.6	26.5	42.5	545	370	256	296	431	120.5
WF80-40-10	80	40	10	2880	2.2	380	4.6	26.5	42.5	545	370	256	296	431	120.5
WF80-45-9	80	45	9	2880	2.2	380	4.6	26.5	42.5	545	370	256	296	431	120.5
WF80-35-13	80	35	3	2840	3	380	6.1	34.5	47	565	360	256	300	436	120.5
WF80-40-15	80	40	15	2840	4	380	7.7	26	51	563	357	250	318	454	114.5
WF80-40-22	80	40	22	2940	5.5	380	10.8	17.5	85.5	793	450	251	310	447	129.5
WF80-40-30	80	40	30	2940	7.5	380	14.3	17.5	92	790	500	251	310	447	130
WF80-50-25	80	50	25	2940	7.5	380	14.3	17.5	92	790	500	251	310	447	130
WF80-48-38	80	48	38	2930	11	380	21.7	22	134.5	924	610	317	410	557	181.5
WF100-50-7	100	50	7	2880	2.2	380	4.6	45	48	522	400	170	323	472	120.5
WF100-60-9	100	60	9	2840	3	380	6.1	40	50	564	420	190	311	460	120.5
WF100-50-12	100	50	12	2840	4	380	7.7	34.5	53.5	607	400	292	337	492	142
WF100-65-15	100	65	15	2940	5.5	380	10.8	35.5	89	835	500	292	337	492	145
WF100-60-17	100	65	18	2940	5.5	380	10.8	35.5	89	835	500	292	337	492	145
WF100-70-14	100	70	14	2940	5.5	380	10.8	35.5	89	835	500	292	337	492	145
WF100-45-22	100	45	22	2940	7.5	380	14.3	32.5	98	835	500	297	365	519	147
WF100-65-20	100	65	20	2940	7.5	380	14.3	32.5	98	835	500	297	365	519	147
WF100-80-15	100	80	15	2940	7.5	380	14.3	32.5	98	835	500	297	365	519	147
WF100-100-15	100	100	15	2940	7.5	380	14.3	32.5	98	835	500	297	365	519	147
WF100-80-25	100	80	25	2930	11	380	21.7	25	128	906	620	344	388	577	194
WF100-100-30	100	100	30	2930	15	380	29.1	27.5	136	906	620	344	388	577	194
WF150-100-7	150	100	7	2940	5.5	380	10.8	31	102	850	510	365	398	650	157.5
WF150-100-10	150	100	10	2940	5.5	380	10.8	31	102	850	510	365	398	650	157.5
WF150-100-17	150	100	17	2940	7.5	380	14.3	31	109	850	510	365	398	650	157.5
WF150-150-10	150	150	10	2940	7.5	380	14.3	30	105	909	670	425	398	660	214.5
WF150-120-25	150	120	25	2930	15	380	29.1	40	145	955	680	425	398	660	214.5

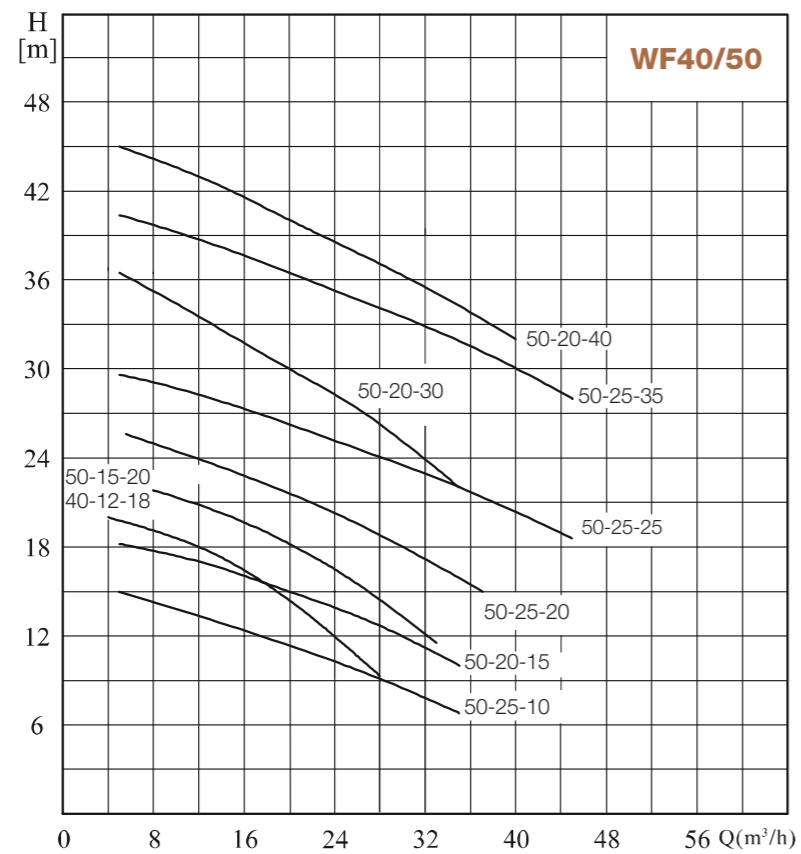
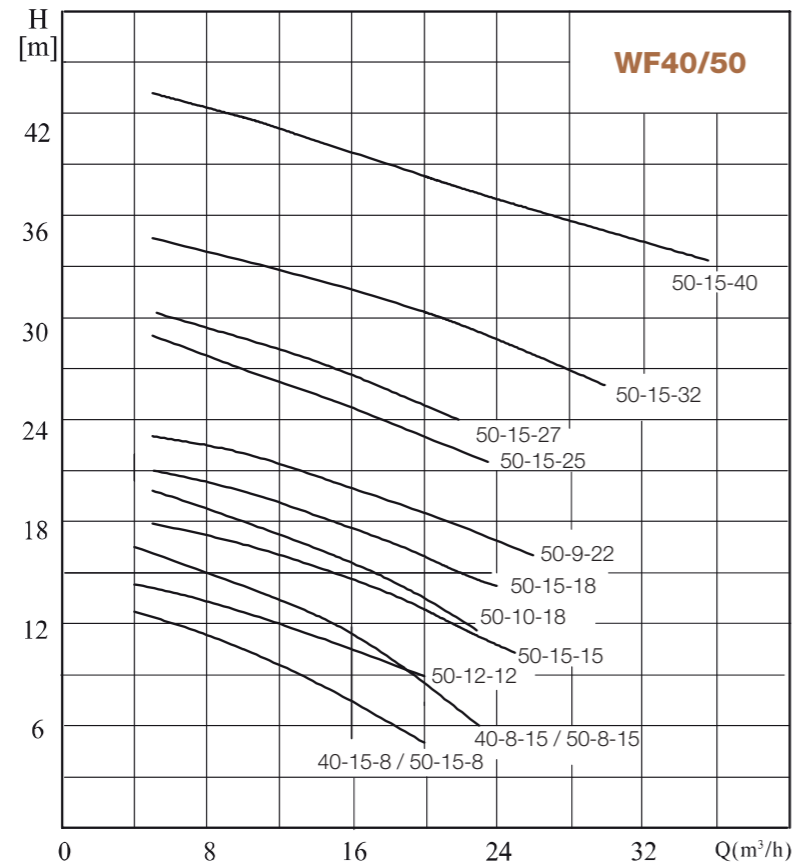
# WF Sewage Submersible Pump

## Technical parameters and dimensions (4-pole)

Model	Size (mm)	Q (m³/h)	H (m)	n (rpm)	P2 (kW)	V (V)	I (A)	Max. limit solid D. (mm)	W (kg)	Dimension (mm)					
										H	H1	H2	F	F1	H3
WF80-36-10	80	36	10	1413	2.2	380	5.5	50	56	643	460	301	363	510	168.5
WF80-36-12	80	36	12	1413	2.2	380	5.5	50	56	643	460	301	363	510	168.5
WF80-36-16	80	36	16	1413	4	380	8.4	35	53.5	692	555	301	375	580	168.5
WF80-60-11	80	60	11	1413	4	380	8.4	55	53.5	716	357	250	370	454	173.5
WF100-60-17	100	60	17	1437	5.5	380	11.5	40	132	908	670	432	453	714	222
WF100-60-20	100	60	20	1450	7.5	380	16.6	40	145	929	690	369	454	687	222
WF100-80-35	100	80	35	1460	18.5	380	36.9	27.5	305	1208	800	439	603	836	289
WF100-100-35	100	100	35	1460	22	380	43.1	35	310	1208	800	439	603	836	289
WF100-100-39	100	100	39	1460	22	380	43.1	35	310	1208	800	439	603	836	289
WF150-240-7	150	240	7	1450	7.5	380	16.6	70	126	1085	845	510	548	841	335
WF150-150-15	150	150	16	1440	11	380	22.9	52	216	1097	750	535	575	825	325
WF150-150-20	150	150	20	1440	15	380	30.6	57	237	1167	800	535	572	822	325
WF150-150-24	150	150	24	1460	18.5	380	36.9	45	292	1080	1030	530	620	820	320
WF150-180-20	150	180	20	1460	18.5	380	36.9	45	292	1080	1030	530	620	820	320
WF150-200-15	150	200	16	1460	18.5	380	36.9	45	292	1080	1030	530	620	820	320
WF150-250-14	150	250	14	1460	18.5	380	36.9	45	292	1080	1030	530	620	820	320
WF150-150-27	150	150	27	1460	22	380	43.1	60	320	1281	880	530	575	900	320
WF150-270-16	150	270	16	1460	22	380	43.1	65	690	1273	860	530	575	900	320.5
WF150-200-28	150	200	28	1450	30	380	57.4	60	710	1513	1200	673	620	900	350
WF150-150-35	150	150	35	1470	37	380	71.9	65	700	1567	1200	671	765	1025	461
WF150-200-35	150	200	35	1470	37	380	71.9	65	685	1567	1200	671	765	1025	350
WF150-270-40	150	270	40	1480	55	380	106	50	845	1663	1300	596	811	1138	386.5
WF200-270-10	200	270	10	1440	11	380	22.9	50	850	1113	760	530	568	890	335
WF200-300-12	200	300	12	1460	18.5	380	36.9	63	320	1281	880	530	575	900	335.5
WF200-270-16	200	270	16	1460	22	380	43.1	64	550	1281	880	530	575	900	335.5
WF200-300-15	200	300	15	1450	22	380	43.1	60	680	1281	880	530	575	900	335.5
WF200-400-10	200	400	10	1450	22	380	43.1	65	690	1281	880	530	575	900	335.5
WF200-250-22	200	250	22	1450	30	380	57.4	60	710	1513	1200	673	620	900	463
WF200-360-17	200	360	17	1450	30	380	57.4	65	700	1513	1200	673	620	900	463
WF200-270-28	200	270	28	1470	37	380	71.9	50	930	1590	1200	673	813	1140	463
WF200-400-25	200	400	25	1470	45	380	87	40	850	1663	1300	650	811	1236	432.5
WF200-250-40	200	250	40	1480	55	380	106	40	850	1663	1300	650	811	1236	386
WF200-400-30	200	400	30	1480	55	380	106	40	850	1663	1300	650	811	1236	386
WF200-350-40	200	350	40	1480	75	380	142	40	919	1663	1300	650	811	1236	386
WF250-400-15	250	400	15	1460	30	380	57.4	45	485	1517	1250	750	815	1235	490
WF250-600-9	250	600	9	1460	30	380	57.4	45	485	1517	1250	750	815	1235	490
WF250-420-22	250	420	22	1470	37	380	71.9	62	550	1594	1200	750	820	1240	490
WF250-600-12	250	600	12	1470	37	380	71.9	62	550	1594	1200	750	820	1240	490
WF250-360-28	250	360	28	1470	45	380	87	45	685	1556	1200	695	829	1256	432.5
WF250-600-28	250	600	28	1480	75	380	142	60	930	1663	1300	740	895	1380	430
WF300-800-8	300	800	8	1450	37	380	75	60	650	1400	1150	779	800	1200	514
WF300-500-15	300	500	15	1450	37	380	75	60	650	1400	1150	779	800	1200	514
WF300-600-18	300	600	18	1470	45	380	87	60	690	1605	1250	825	881	1306	514
WF300-800-12	300	800	12	1470	45	380	87	60	690	1605	1250	825	881	1306	514
WF300-600-20	300	600	20	1450	55	380	106	55	865	1680	1120	775	870	1270	466.5
WF300-800-20	300	800	20	1450	75	380	142	60	956	1680	1120	775	870	1270	466.5

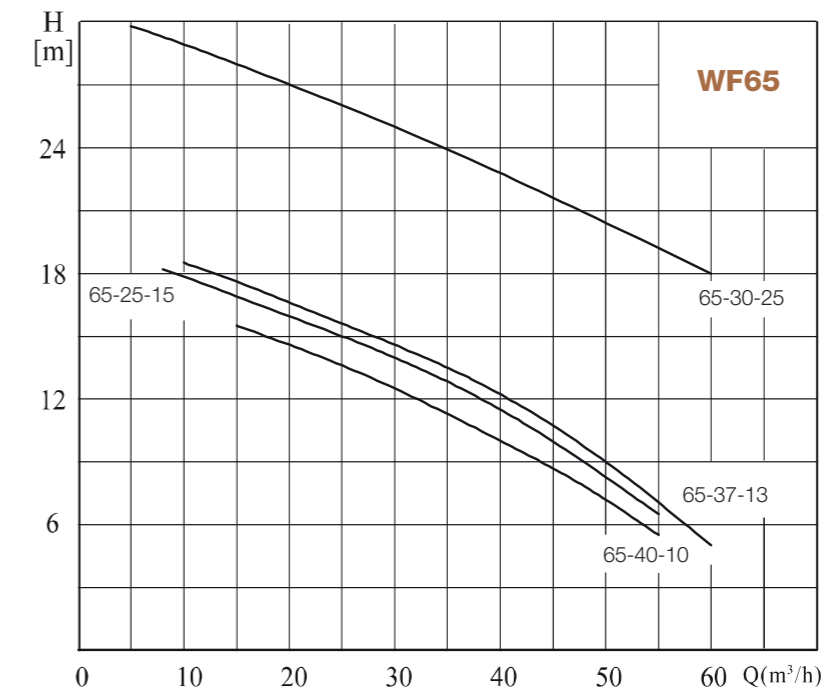
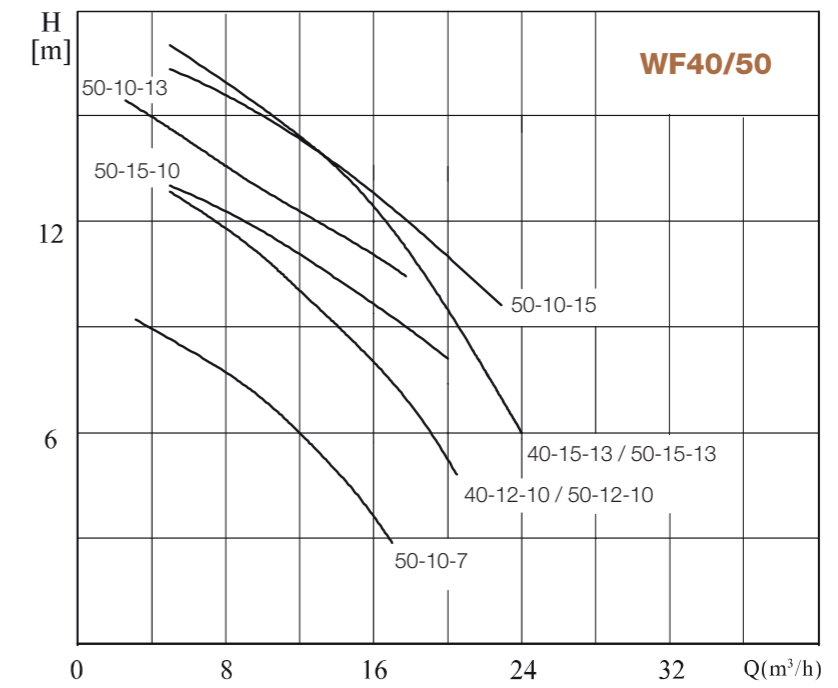
# WF Sewage Submersible Pump

## Performance curve



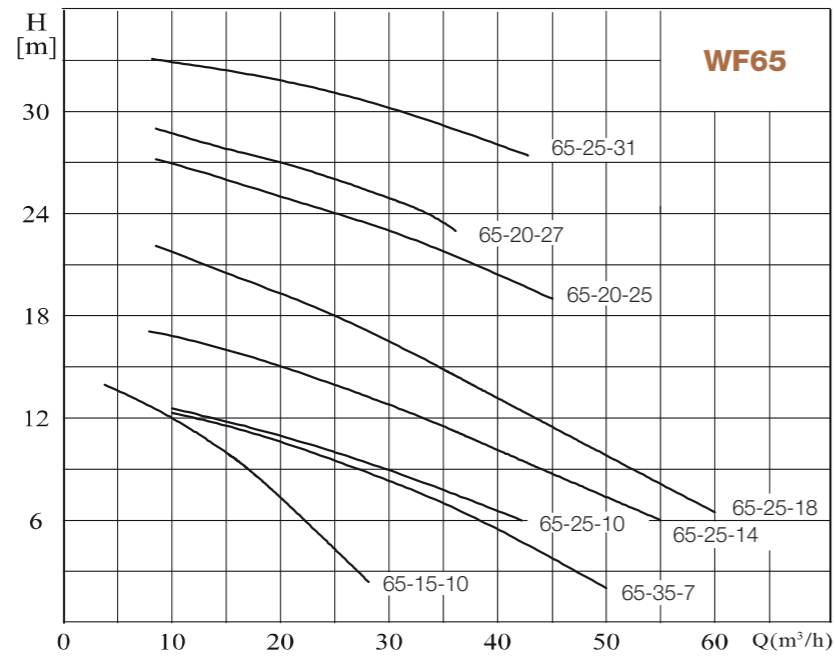
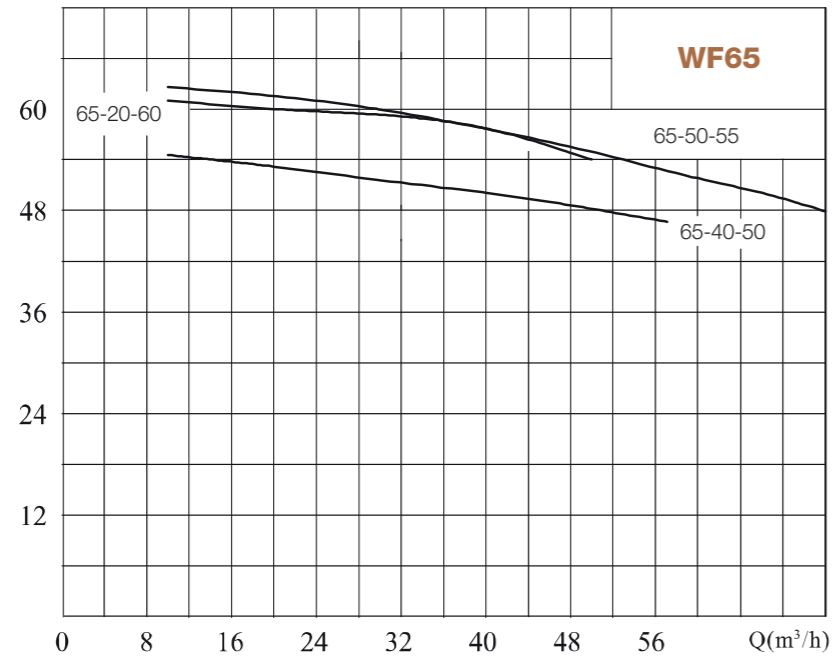
# WF Sewage Submersible Pump

## Performance curve



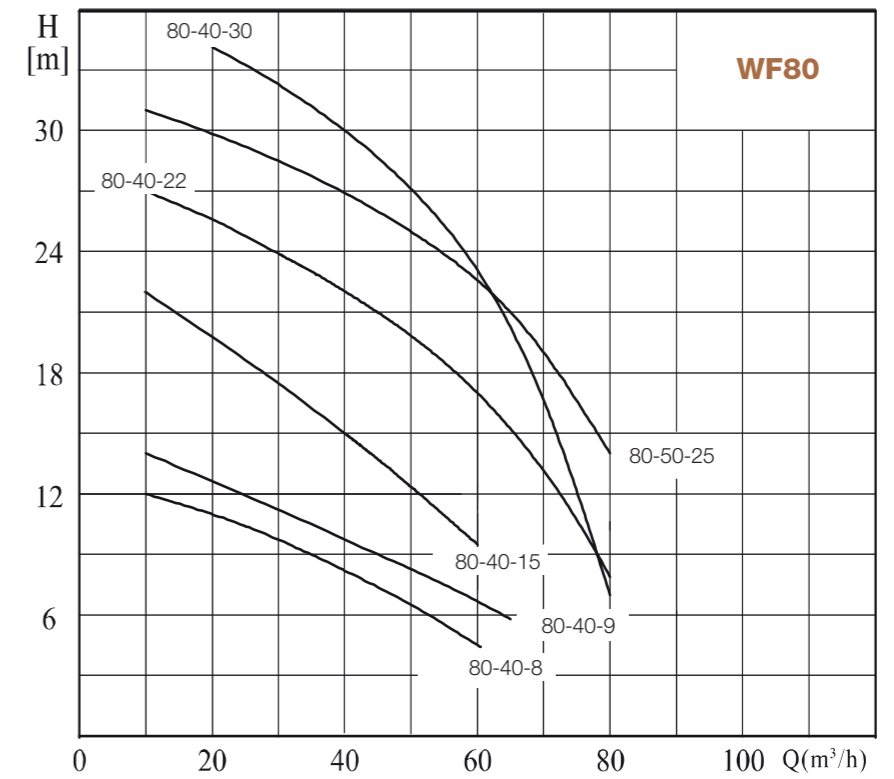
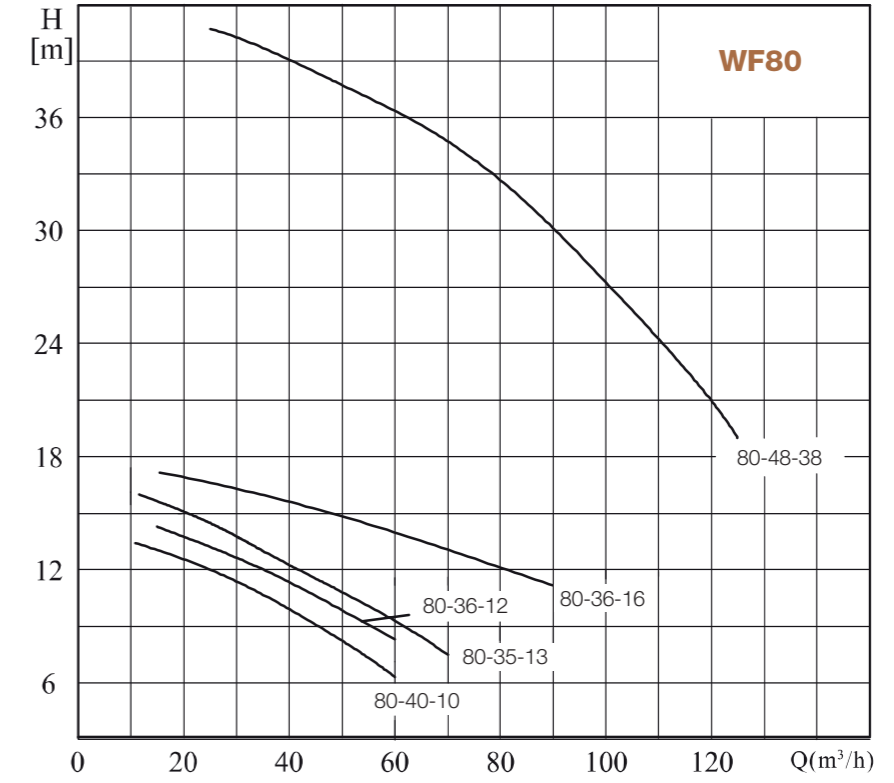
# WF Sewage Submersible Pump

## Performance curve



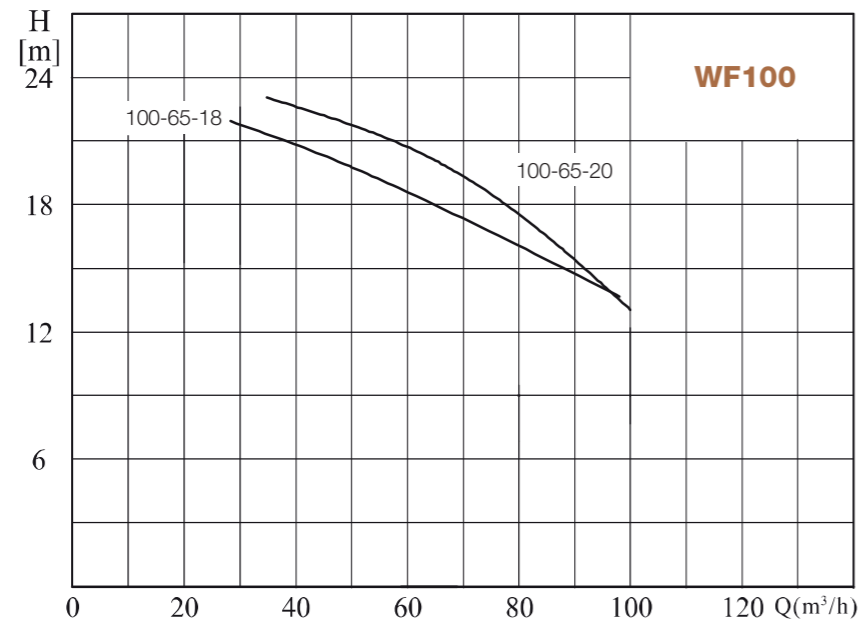
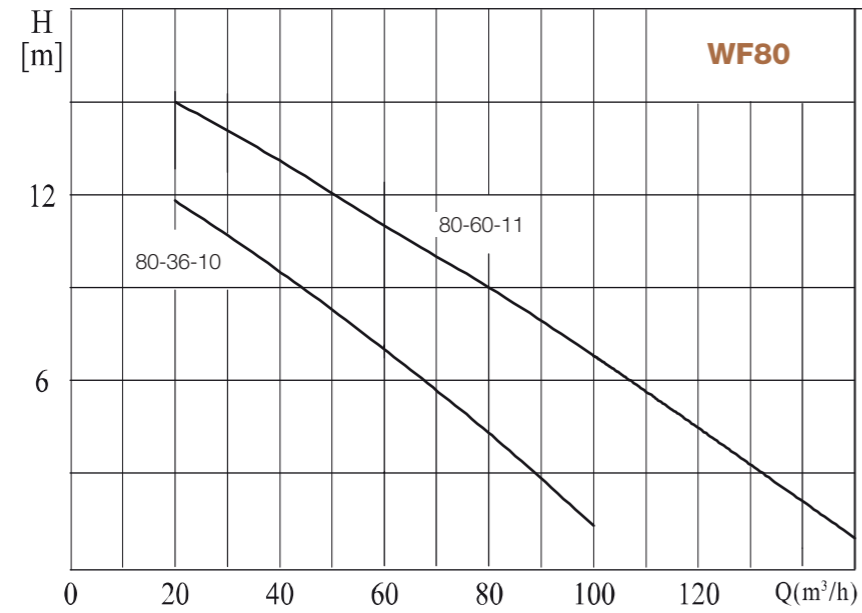
# WF Sewage Submersible Pump

## Performance curve



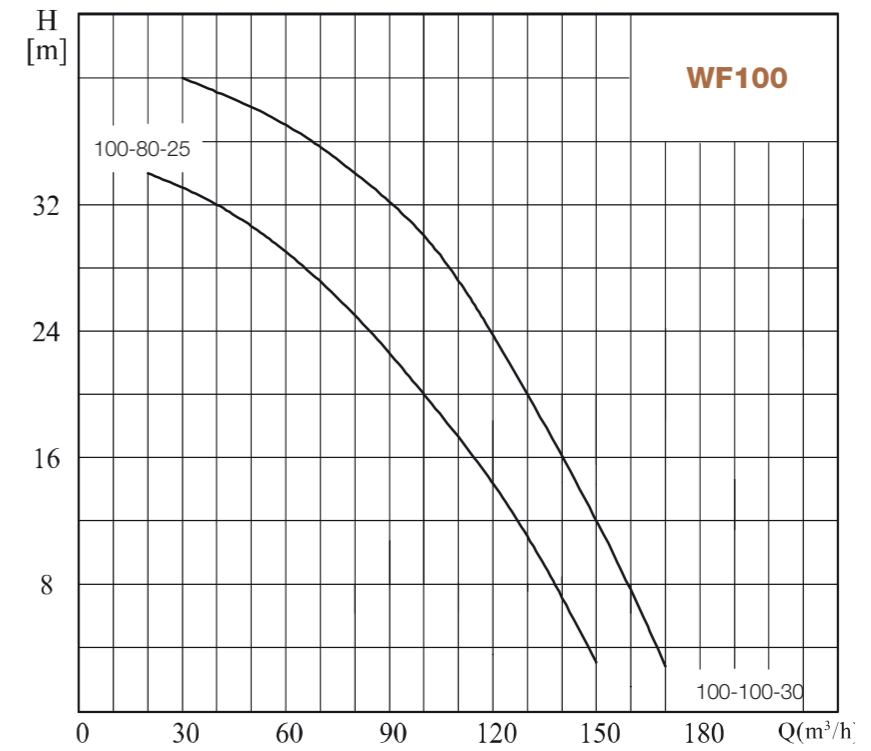
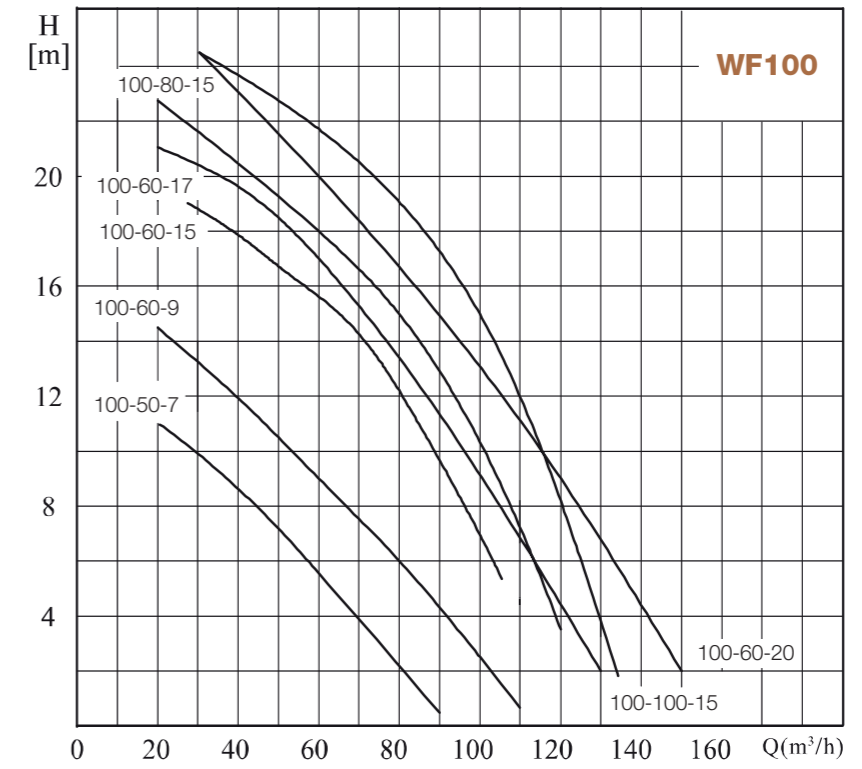
# WF Sewage Submersible Pump

## Performance curve



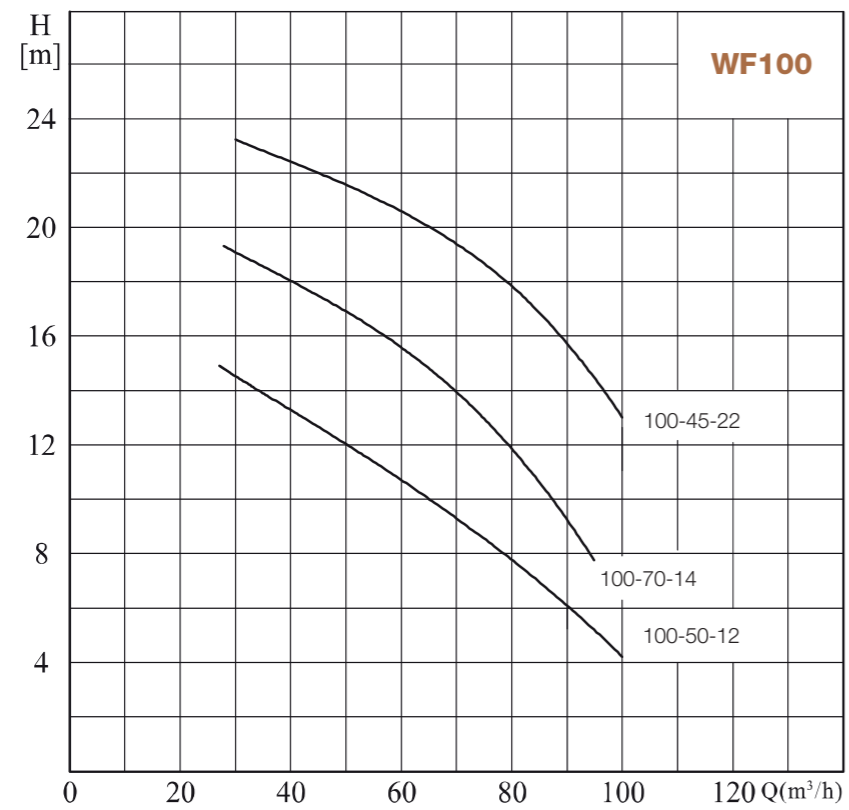
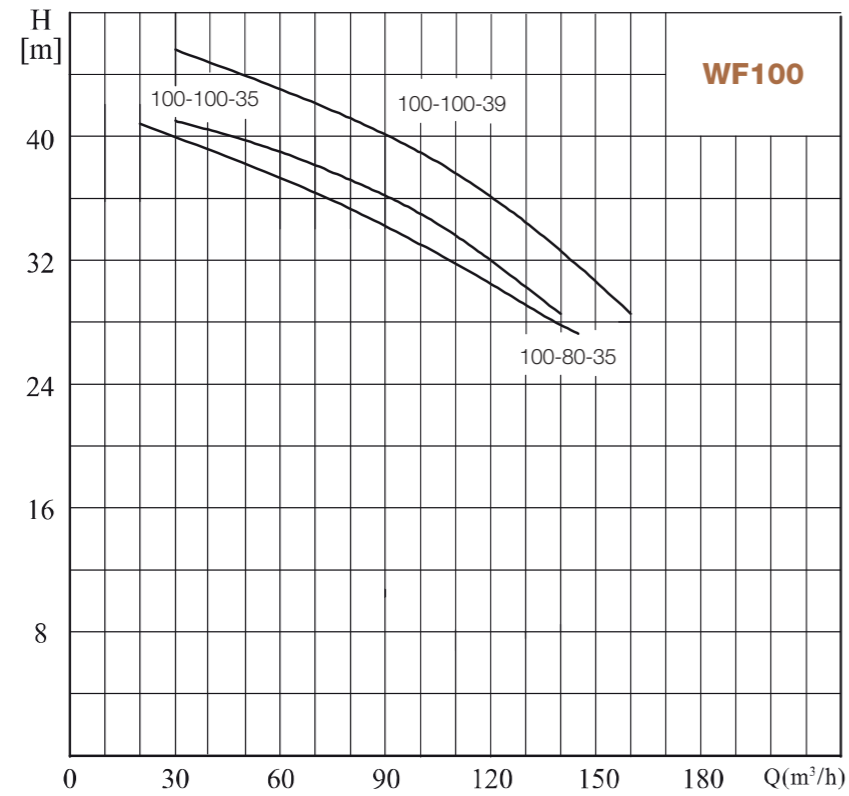
# WF Sewage Submersible Pump

## Performance curve



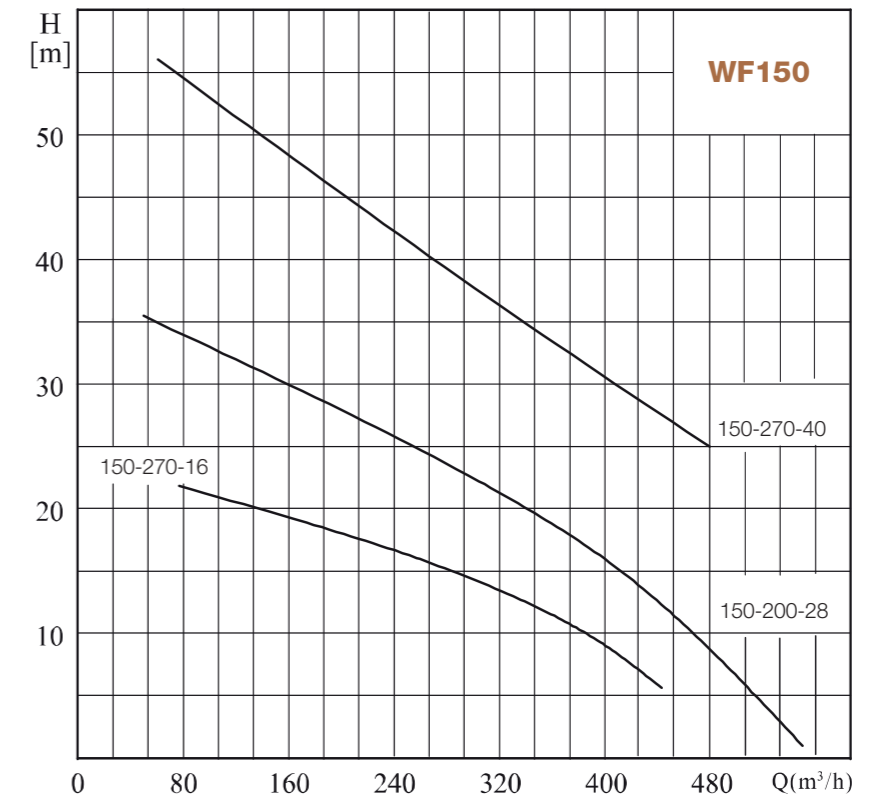
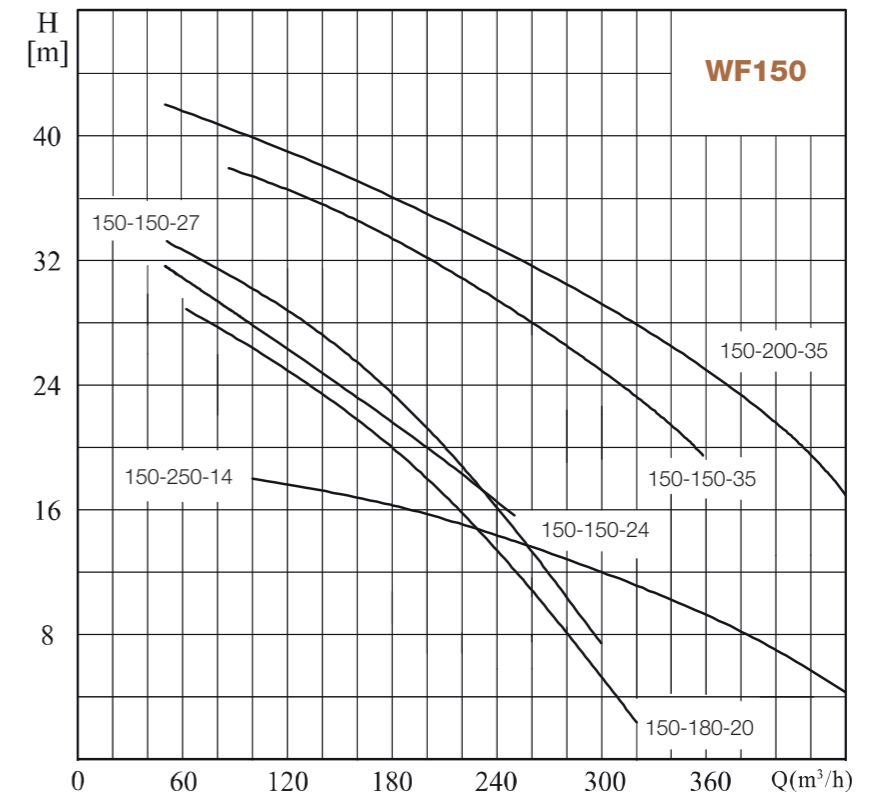
# WF Sewage Submersible Pump

## Performance curve



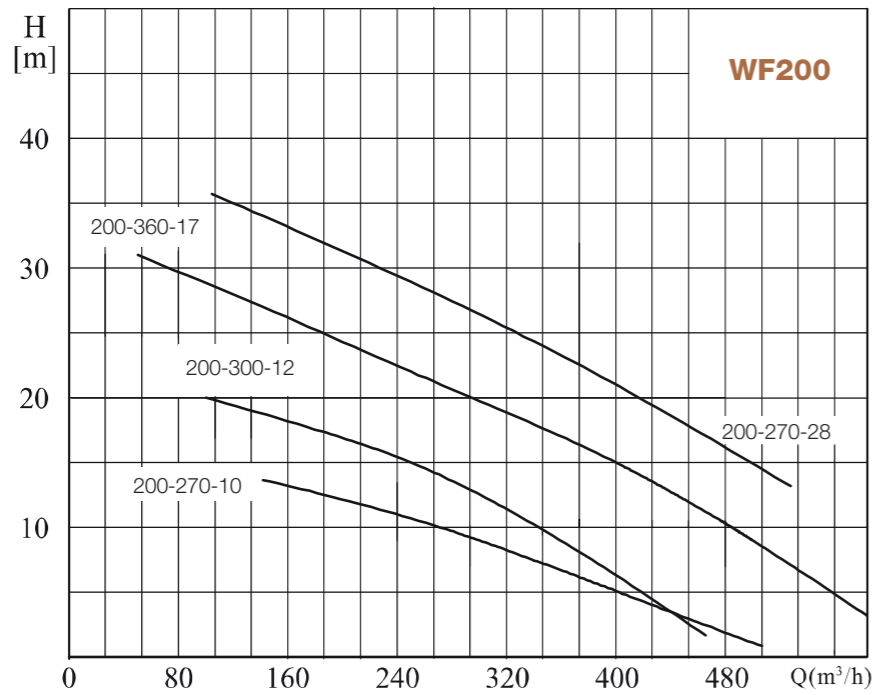
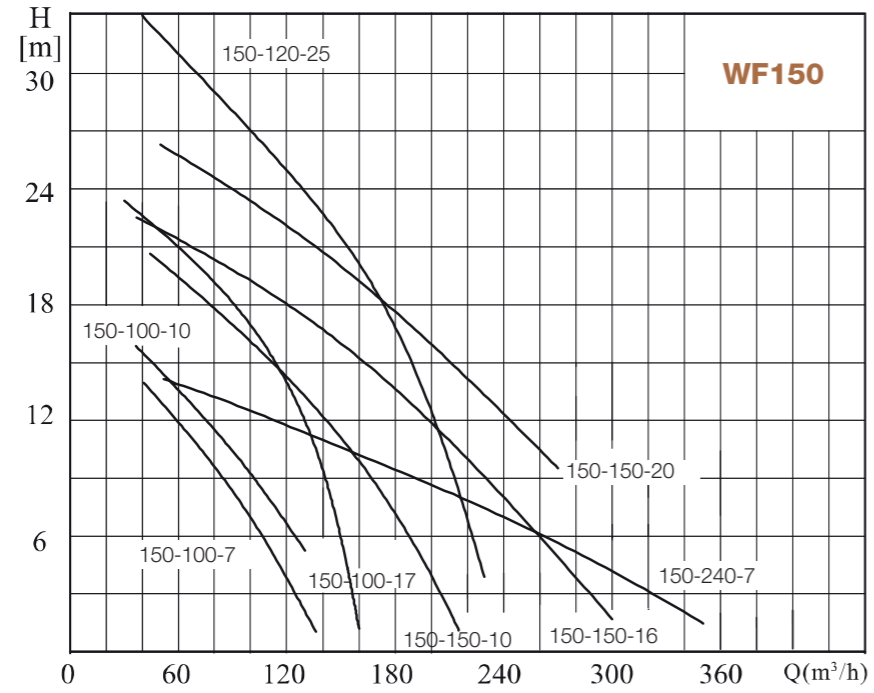
# WF Sewage Submersible Pump

## Performance curve



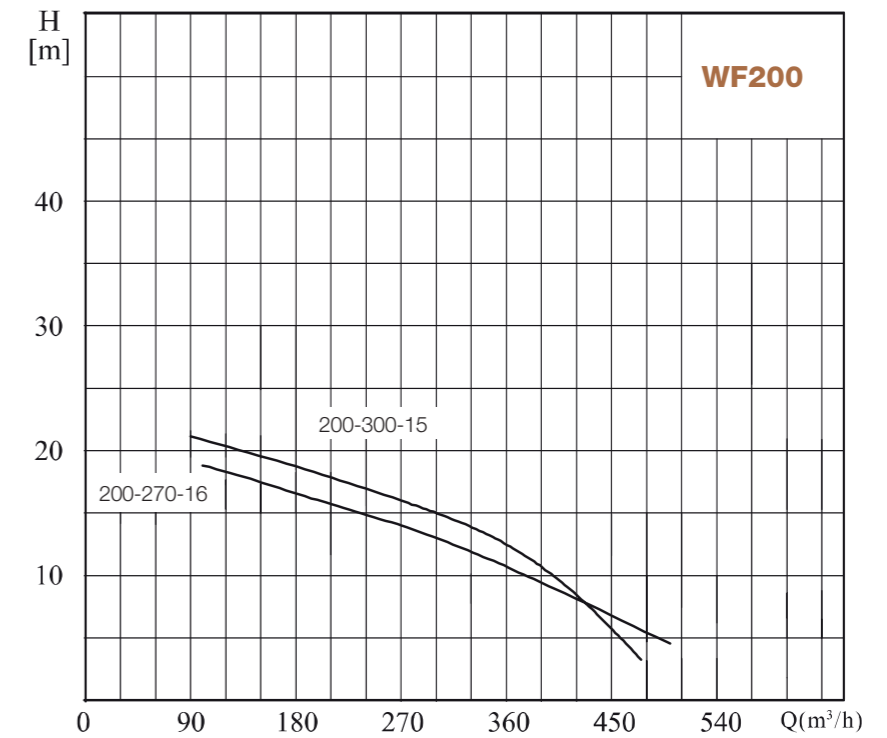
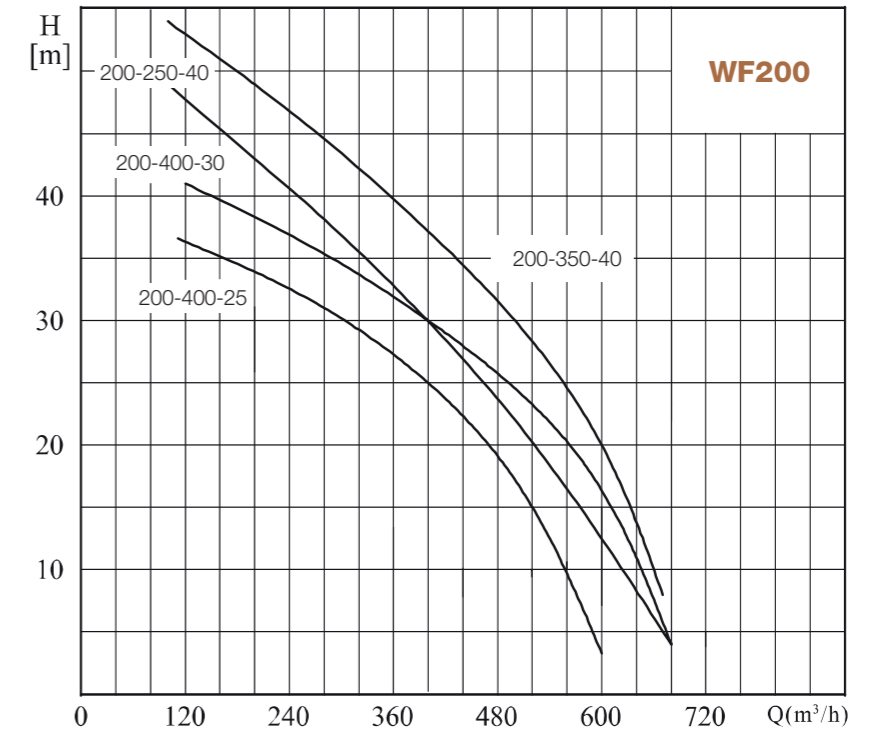
# WF Sewage Submersible Pump

## Performance curve



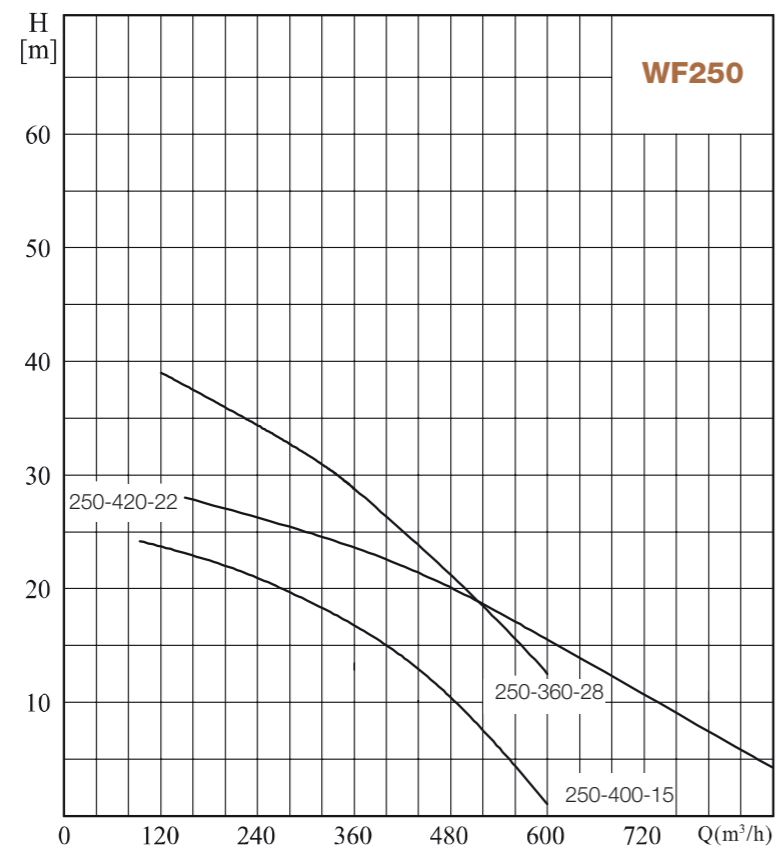
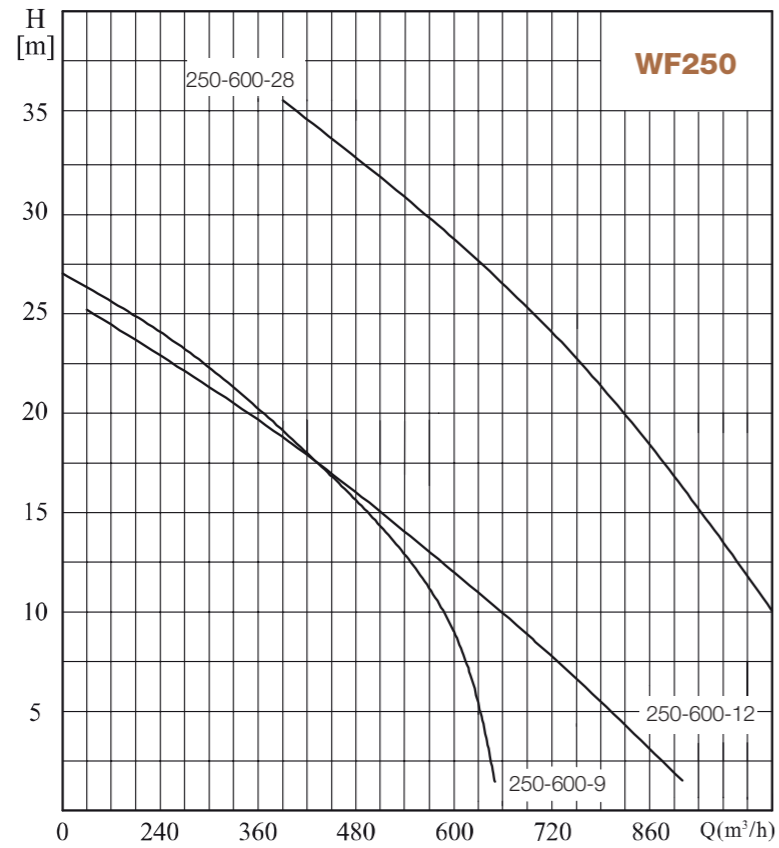
# WF Sewage Submersible Pump

## Performance curve



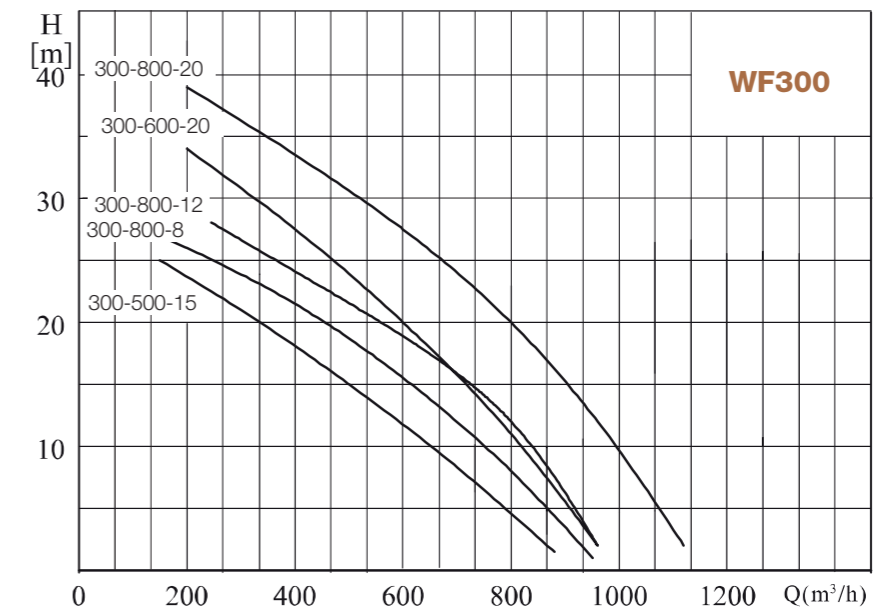
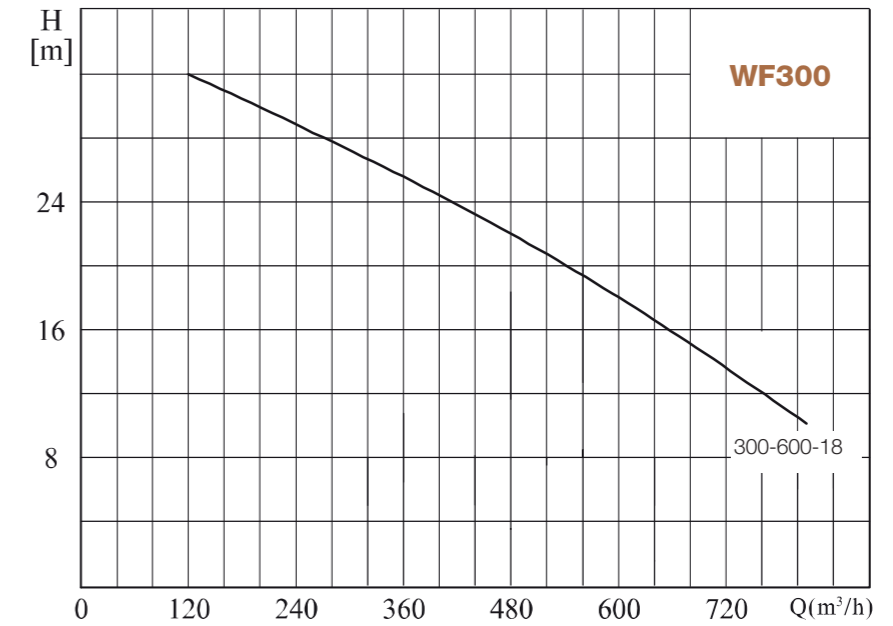
# WF Sewage Submersible Pump

## Performance curve



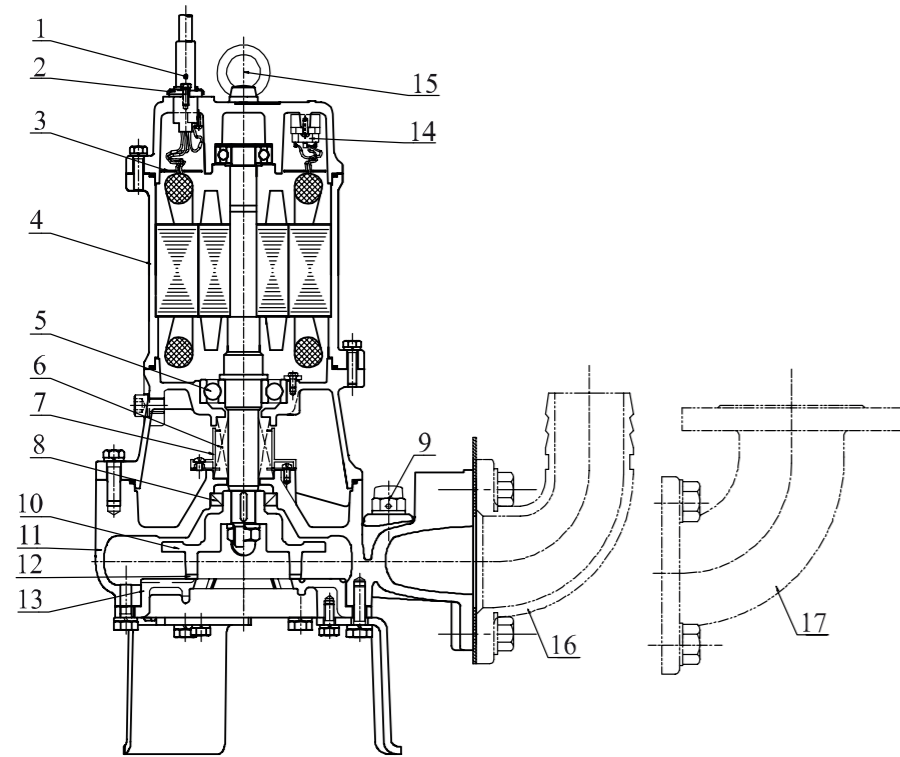
# WF Sewage Submersible Pump

## Performance curve



# WG Grinder Submersible Pump

## Model sectional drawing



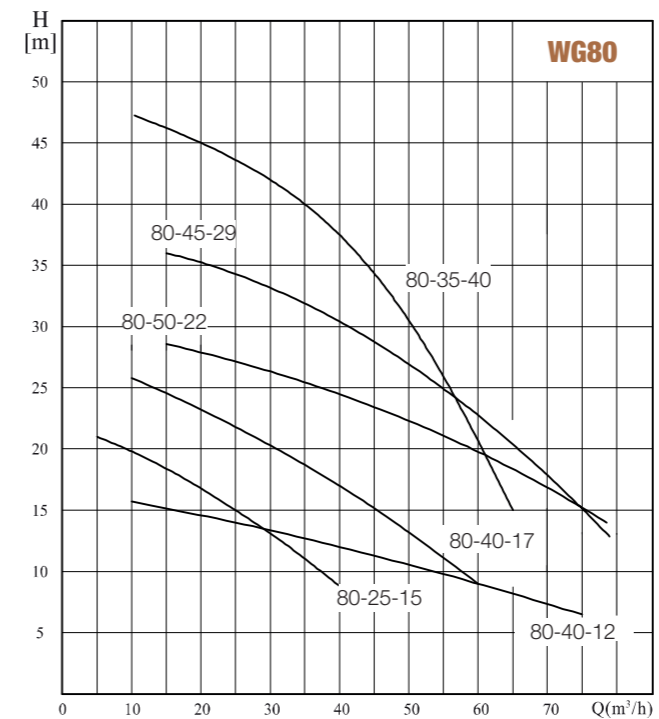
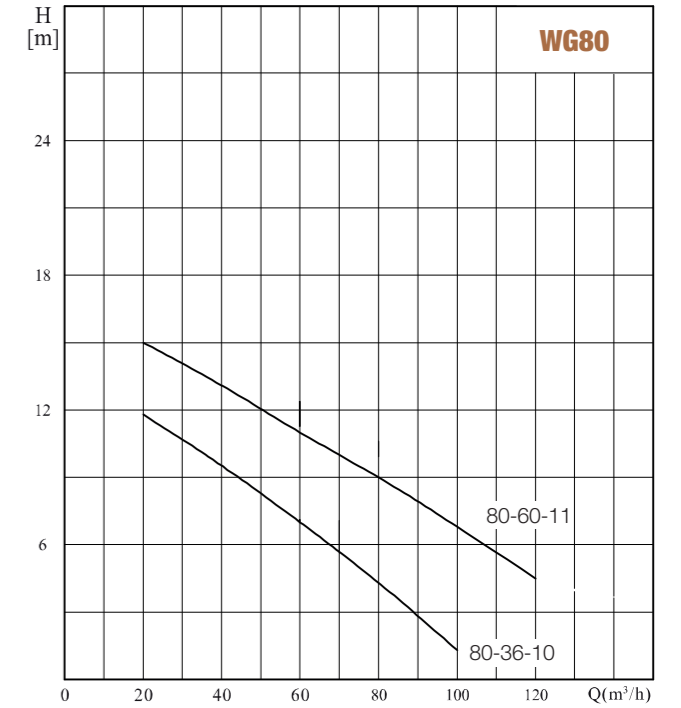
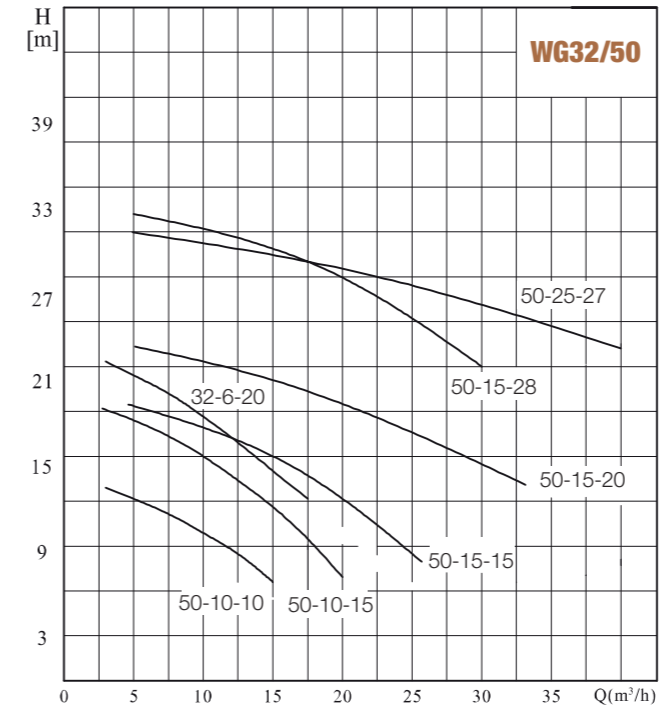
N°	Part	Material
1	Cable	
2	Cable gland	
3	Threading plate	
4	Motor	
5	Bearing	
6	Mechanical seal	Graphite
7	Oil lifter	
8	Oil seal	NBR
9	Air vent plug	RESIN
10	Impeller	ASTM25B
11	Casing	ASTM25B
12	Cutting balde	Tungsten carbide
13	Suction cover	Tungsten carbide
14	Thermal protector	
15	Eye bolt	
16	Elbow (optional)	ASTM25B
17	Elbow (optional)	ASTM25B

## Technical parameters and dimensions

Model	Size (mm)	Q (m³/h)	H (m)	n (rpm)	P2 (kW)	V (V)	I (A)	Max. limit solid D. (mm)	W (kg)	Dimension (mm)					
										H	H1	H2	F	F1	H3
WG50-10-10	50	10	10	2850	0.75	380	1.8	11	21.5	415	285	203	222	333	93
WG50-10-15	50	10	15	2850	1.1	380	2.6	13	22	415	280	201	238	349	93
WG50-15-15	50	15	15	2880	1.5	380	3.3	23	33	464	320	197	271	382	96.5
WG50-15-20	50	15	20	2880	2.2	380	4.6	12	37.5	510	320	216	279	373	107
WG50-15-28	50	15	28	2840	3	380	6.1	20	45	540	370	119	294	405	108.5
WG50-25-27	50	25	27	2840	4	380	7.7	22	50	556	420	221	337	448	111.5
WG80-25-15	80	25	15	2880	2.2	380	4.6	22	45	576	440	291	313	450	156.5
WG80-36-10	80	36	10	1413	2.2	380	5.5	47	65	643	500	308	363	510	168.5
WG80-40-12	80	40	12	2840	3	380	6.1	22	45	586	450	276	300	44	141
WG80-40-17	80	40	17	2840	4	380	7.7	22	48	609	465	292	313	450	156.5
WG80-60-11	80	60	11	1413	4	380	8.4	65	80	717	570	315	369	515	173.5
WG80-50-22	80	50	22	2940	5.5	380	10.8	23	99	879	570	320	410	546	185
WG80-45-29	80	45	29	2940	7.5	380	14.3	25	99	879	600	320	410	546	185
WG80-35-40	80	35	40	2930	11	380	21.7	25	130	927	600	320	410	559	185

# WG Grinder Submersible Pump

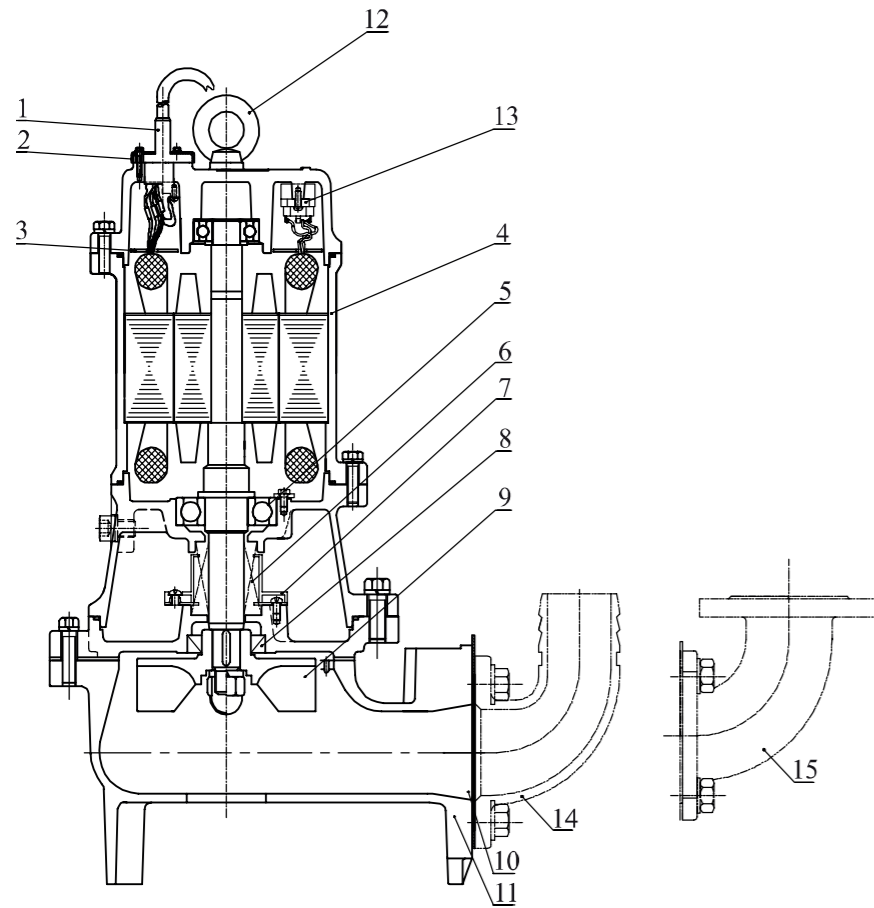
## Performance curve



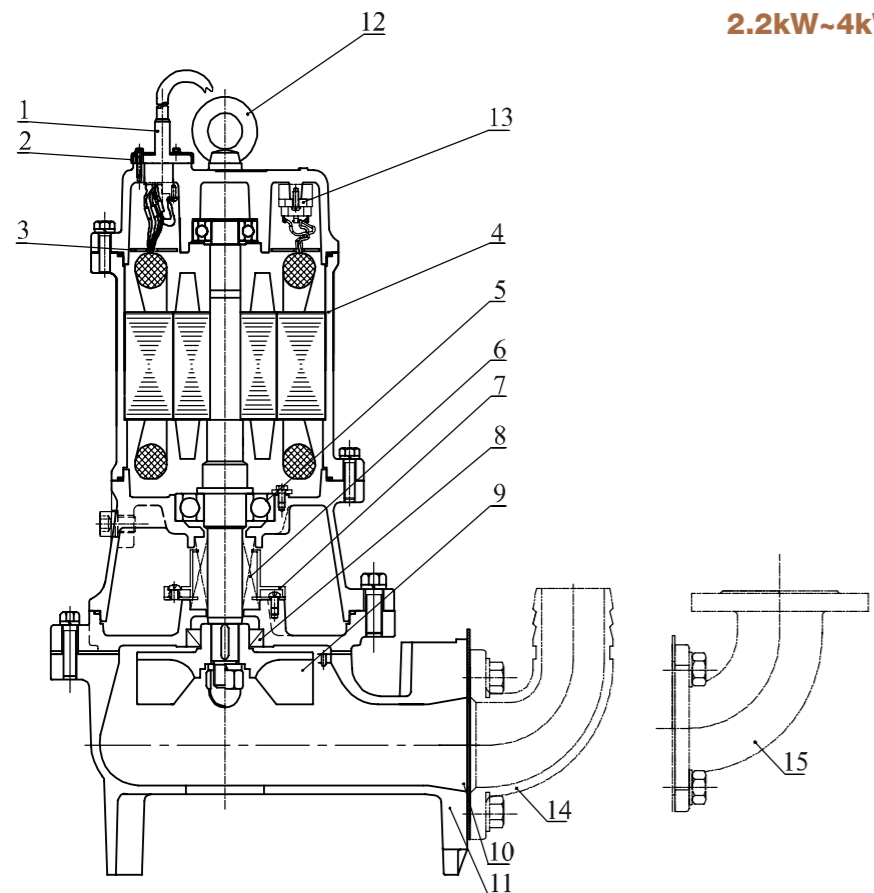
# WV Vortex Impeller Submersible Sewage Pump

2-pole model sectional drawing

0.75kW~1.5kW



N°	Part	Material
1	Cable	
2	Cable gland	
3	Threading plate	
4	Motor	ASTM25B
5	Bearing	
6	Mechanical seal	C/SiC
7	Oil lifter	
8	Oil seal	NBR
9	Impeller	ASTM25B
10	Casing	ASTM25B
11	Suction cover	ASTM25B
12	Eye bolt	
13	Thermal protector	
14	Elbow (optional)	ASTM25B
15	Elbow (optional)	ASTM25B



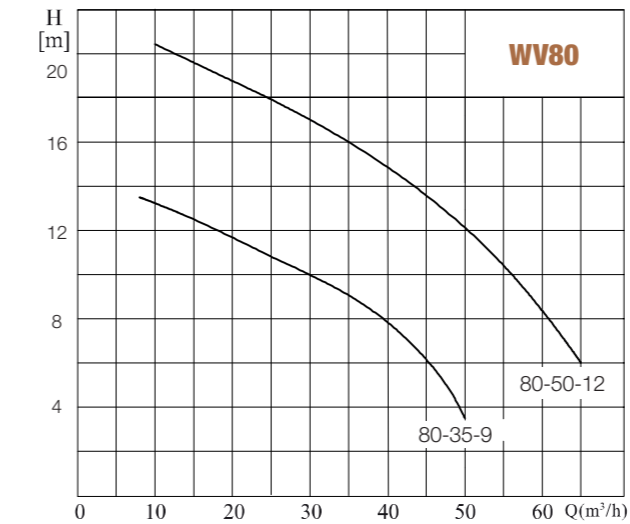
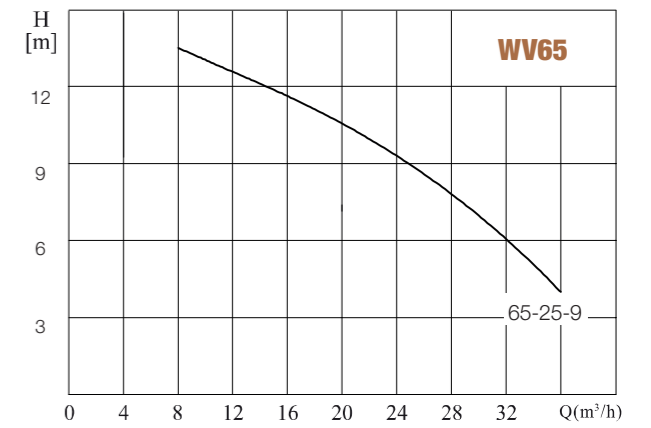
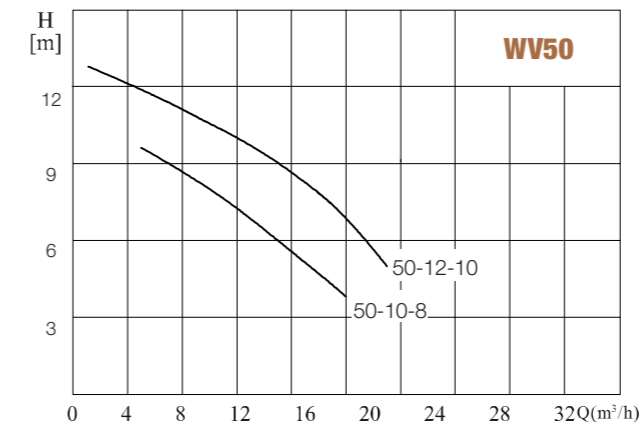
2.2kW~4kW

# WV Vortex Impeller Submersible Sewage Pump

Technical parameters and dimensions (2-pole)

Model	Size (mm)	Q (m³/h)	H (m)	n (rpm)	P2 (kW)	I (A)	Max. limit solid D. (mm)	W (kg)	Dimension (mm)					
									H	H1	H2	F	F1	H3
WV50-10-8	50	10	8	2850	0.75	1.8	37	23	432	287	177	215	324	77
WV50-12-10	50	12	10	2880	1.5	3.3	36	31	468	317	182	250	358	82
WV65-25-9	65	25	9	2880	1.5	3.3	47	36	490	340	204	250	385	87
WV80-35-9	80	35	9	2880	2.2	4.6	56	50	545	390	227	275	420	90
WV80-50-12	80	50	12	2840	4	7.7	56	58	575	415	230	280	427	90

Performance curve



# Notes



A series of horizontal dotted lines for writing notes, extending across the left half of the page.

A series of horizontal dotted lines for writing notes, extending across the right half of the page.

# hydroo®

Be pumping partners

**HYDROO**  
**Pump Industries SL**

Carrer La Banyeta Nova, 11  
Polígon Industrial La Banyeta  
17843 Palol de Revardit  
Catalonia. Spain  
Tel. +34 972 394 654  
E-mail: [info@hydroo.com](mailto:info@hydroo.com)  
[www.hydroo.com](http://www.hydroo.com)

202036-CTL-WDROO-EN  
subject to amendments

